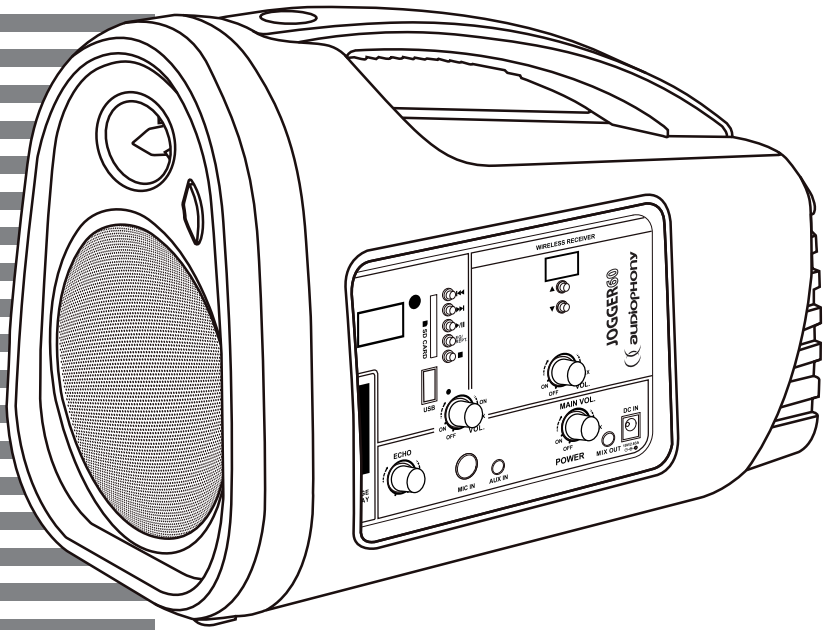


60W SOUND SYSTEM WITH USB READER + UHF MIC + WIRED MIC



JOGGER60

USER GUIDE

9894 - August 2011 Version 1.0

1 - Safety information

Important safety information



This unit is intended for indoor use only. Do not use it in a wet, or extremely cold/hot locations. Failure to follow these safety instructions could result in fire, electric shock, injury, or damage to this product or other property.



This product contains non-isolated electrical components. Do not undertake any maintenance operation when it is switched on as it may result in electric shock.



Any maintenance procedure must be performed by a CONTEST authorised technical service. Basic cleaning operations must thoroughly follow our safety instructions.



CAUTION
RISK OF ELECTRIC SHOCK
DO NOT OPEN



WARNING : This unit contains no user-serviceable parts. Do not open the housing or attempt any maintenance by yourself. In the unlikely even your unit may require service, please contact your nearest dealer. In order to avoid any electrical malfunction, please do not use any multi-socket, power cord extension or connecting system without making sure they are perfectly isolated and present no defect.



Risk of electrocution

To prevent the hazard of electric shocks, do not use extension cords, multi-socket or any other connection system without making sure metal parts completely are out of reach.



Sound levels

Our audio solutions deliver important sound pressure levels (SPL) that can be harmful to human health when exposed during long periods. Please do not stay in close proximity of operating speakers.



Recycling your device

- As HITMUSIC is really involved in the environmental cause, we only commercialise clean, ROHS compliant products.
- When this product reaches its end of life, take it to a collection point designated by local authorities. The separate collection and recycling of your product at the time of disposal will help conserve natural resources and ensure that it is recycled in a manner that protects human health and the environment.

Symbols used



This symbol signals an important safety precaution.



The CAUTION symbol signals a risk of product deterioration.



The WARNING symbol signals a risk to the user's physical integrity. The product may also be damaged.

Instructions and recommendations

1 - Please read carefully :

We strongly recommend to read carefully and understand the safety instructions before attempting to operate this unit.

2 - Please keep this manual :

We strongly recommend to keep this manual with the unit for future reference.

3 - Operate carefully this product :

We strongly recommend to take into consideration every safety instruction.

4 - Follow the instructions:

Please carefully follow each safety instruction to avoid any physical harm or property damage.

5 - Avoid water and wet locations :

Do not use this product in rain, or near washbasins or other wet locations.

6 - Installation :



We strongly encourage you to only use a fixation system or support recommended by the manufacturer or supplied with this product. Carefully follow the installation instructions and use the adequate tools.

Always ensure this unit is firmly fixed to avoid vibration and slipping while operating as it may result in physical injury.

7 - Ceiling or wall installation :

Please contact your local dealer before attempting any ceiling or wall installation.

8 - Ventilation :



The cooling vents ensure a safe use of this product, and avoid any overheating risk.

Do not obstruct or cover these vents as it may result in overheating and potential physical injury or product damage. This product should never be operated in a closed non-ventilated area such as a flight case or a rack, unless cooling vents are provided for the purpose .

9 - Heat exposure :

Sustained contact or proximity with warm surfaces may cause overheating and product damages. Please keep this product away from any heat source such as a heaters, amplifiers, hot plates, etc...

10 - Electric power supply :

This product can only be operated according to a very specific voltage. These information are specified on the label located at the rear of the product.

11 - Power cords protection:



Power-supply cords should be routed so that they are not likely to be walked on or pinched by items placed upon or against them, paying particular attention to cords at lugs, convenience receptacles and the point where they exit from the fixture.

12 - Cleaning precautions :



Unplug the product before attempting any cleaning operation. This product should be cleaned only with accessories recommended by the manufacturer. Use a damp cloth to clean the surface. Do not wash this product.

13 - Long periods of non use :

Disconnect the unit's main power during long periods of non use.

14 - Liquids or objects penetration :

Do not let any object penetrate this product as it may result in electric shock or fire.

Never spill any liquid on this product as it may infiltrate the electronic components and result in electric shock or fire.

15 - This product should be serviced when :

Please contact the qualified service personnel if :



- The power cord or the plug has been damaged.
- Objects have fallen or liquid has been spilled into the appliance.
- The appliance has been exposed to rain or water.
- The product does not appear to operate normally.
- The product has been damaged.

16 - Inspection/maintenance :



Please do not attempt any inspection or maintenance by yourself. Refer all servicing to qualified personnel.

17 - Operating environment :



Ambient temperature and humidity: +5 - +35°C, relative humidity must be less than 85% (when cooling vents are not obstructed).

Do not operate this product in a non-ventilated, very humid or warm place.

2 - Introduction

Thank you for purchasing the JOGGER60.

The JOGGER60 is a battery-operated amplified sound system producing 60W RMS. It features a speaker with built-in amplification module, a USB/SD reader compatible with MP3 files, a UHF handheld microphone, wired microphone and a protective cover.

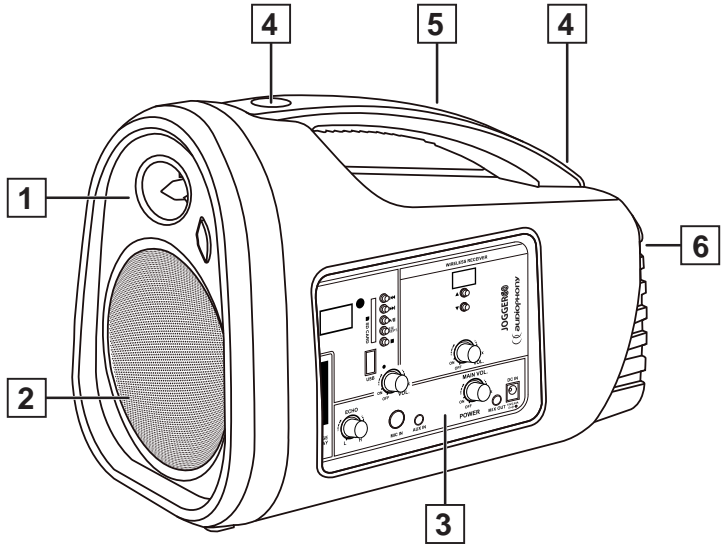
When ergonomics is a crucial factor, its very light weight, excellent sound rendering and battery life will meet your every need.

This user guide will allow you to understand and use all the functions of the JOGGER60.

Please keep it within reach during the first uses in order to get familiar with the unit.

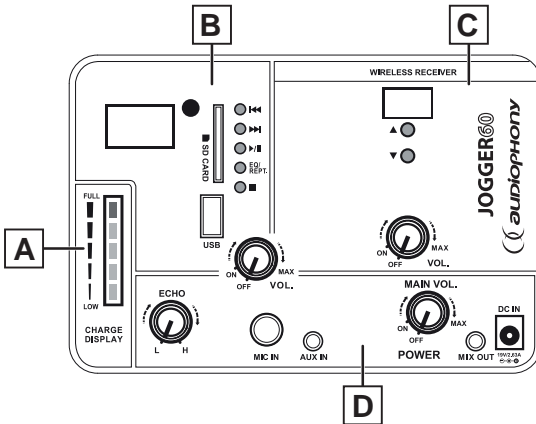
3 - Description

Main features



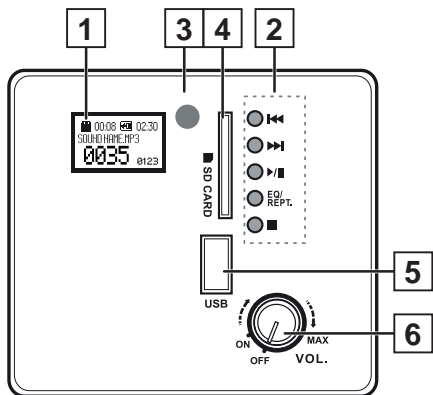
- 1 - Tweeter
- 2 - Boomer
- 3 - Control panel
- 4 - Outer loop for shoulder strap
- 5 - Transport handle
- 6 - Battery compartment

Command panel



- A - Battery charge indicator
- B - USB / SD reading module
- C - UHF receiver module
- D - Mic module / Main volume

USB/SD reading module with INFRARED REMOTE CONTROL



1 - Display: Gives information about the track currently playing.

2 - Command module (identical to the infrared remote control)
⏮: Previous track: Skips back to the previous track.

⏭: Next track: Skips to the next track.

⏸: Play/Pause : Allows you to play/pause a track.

EQ/ REPT.: Allows you to choose an equalization/repeat mode.

EQ: Each pressure switches to another equalization mode:
 Normal > Pop > Rock > Jazz > Classical > Country.

REPT.: Each pressure switches to another mode:
 Off > Single > One > Folder > All > Random.

■ Stop : Stops the track being played.

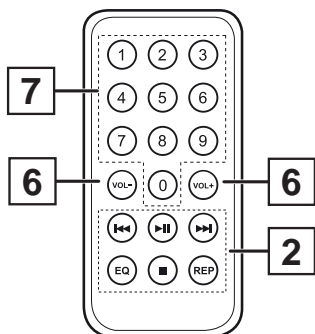
3 - Infrared receiver

4 - SD slot

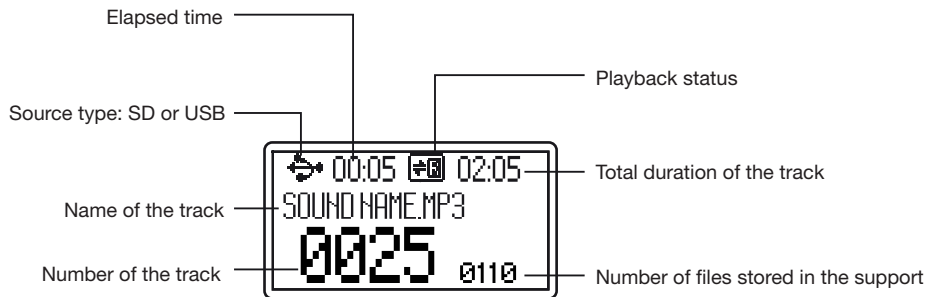
5 - USB Slot

6 - Volume fader (identical to the infrared remote control) :
 Configures the output volume and allows you to turn off the module.

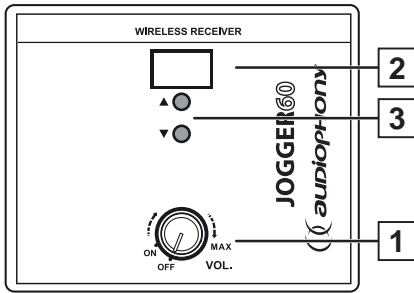
7 - Direct access buttons (only with the remote control) :
 Allows you to directly access a track by pressing its number.



DISPLAY

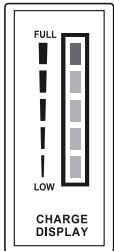


UHF RECEIVER MODULE



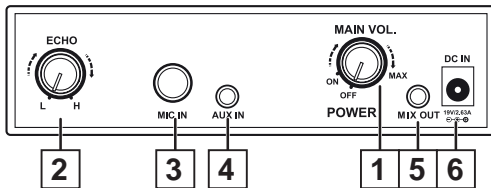
- 1 - Fader allowing you to configure the output volume and allows you to turn off the module.
- 2 - Displays the receiving channel information (0 to F): 16 channels
- 3 - Receiver channel selector

BATTERY CHARGE INDICATOR



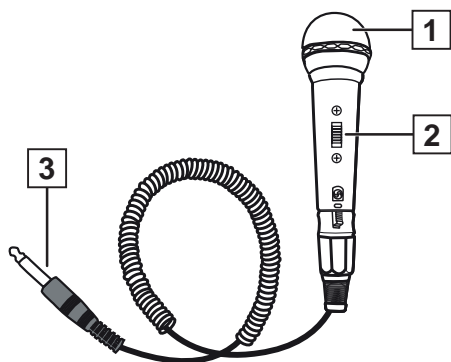
The battery is fully charged when the FULL LED is lit. The gauge slowly decreases as you are using the JOGGER60. When reaching LOW, the battery is almost fully discharged and should be charged as quickly as possible to prevent any damage.

MASTER MODULE



- 1 - Fader allowing you to configure the output volume and allows you to turn off the JOGGER60.
- 2 - Echo level settings. From low to high (clockwise).
- 3 - Mic input: Plug the supplied handheld mic here.
- 4 - Auxiliary input (Jack 3.5): Allows you to connect a line-level auxiliary source such as your mp3 player.
- 5 - MIX OUT Output (Jack 3.5): Allows you to retrieve the signal of the MASTER output. This signal combines all the connected sources (built-in reader, two mic and AUX IN input).
- 6 - Power supply input (19V/2,63A): Connect the power supply here. The battery automatically charges when the JOGGER is connected to an electrical outlet. Especially useful when the battery though you still need to use the JOGGER60.

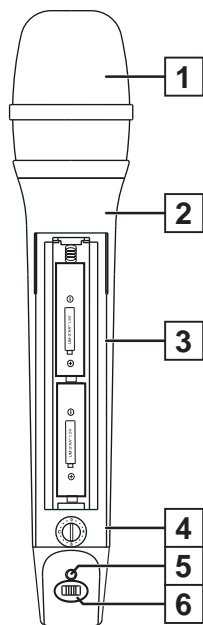
WIRED MICROPHONE



- 1 - Metal grille protecting the capsule
- 2 - Power switch
- 3 - Jack 6.35

The wired microphone can be connected to the MIC IN input of the MASTER module.

UHF MICROPHONE



- 1 - Metal grille protecting the capsule
- 2 - Body
- 3 - Battery compartment: 2 x 1.5V ou 2 x 1.2V
- 4 - Frequency selector (16 frequencies from 0 to F)
- 5 - Charge level indicator: Flashes when the batteries are almost fully discharged
- 6 - Power switch

Set the microphone and the receiver module on the same frequency to use the UHF mic with the JOGGER60.

NOTE:

Turn the microphone OFF and remove the batteries during long periods of non-use.

4 - Using the batteries

CHANGING AND REPLACING THE BATTERIES

- 1 - First of all, turn your JOGGER60 OFF.
- 2 - Open the rear compartment as described on Figure 1.
- 3 - Remove the used battery by pulling the strip upwards.
- 4 - Install the new battery within its compartment, as described on Figure 2.
- 5 - Make sure the battery is in position and close the hatch.

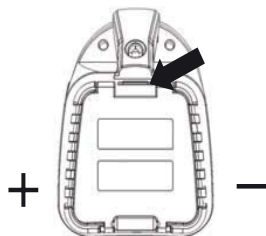


Figure 1

Notes:



- Caution: Please make sure to position the battery properly, as described on Figure 1, as your device can be damaged by an improper positioning.
- A new battery must be fully recharged before being used. The green indicator flashes during the charging process and remains lit once the battery is fully charged.

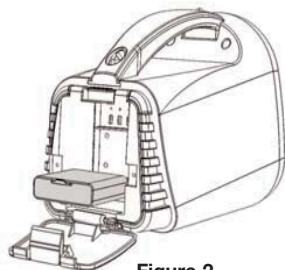


Figure 2

- 1 - This device features a 14.4 V / 2.6 Ah Lithium-ion battery allowing an average battery life of 2 to 8 hours.
- 2 - The complete charging process duration is approximately 4 hours and a half.
- 3 - A built-in power management system indicates if the battery needs to be charged.
- 4 - If the «LOW» red indicator flashes, please plug your JOGGER60 to an electrical outlet or replace the battery.
- 5 - Used batteries must be taken care of properly. Do not dispose of them in the environment.
- 6 - In order to preserve the battery, please completely turn off your device when not using it.
- 7 - We strongly recommend to remove the battery during long periods of non-use.
- 8 - The battery must be charged regularly to prevent it from drying and becoming unusable.
- 9 - The battery is considered a wearing part and is not covered by the warrant

POWER SUPPLY ACCESSORIES

LT2600

260mA Lithium-ion battery for JOGGER60.

The extra battery is perfect for extensive uses of the JOGGER60.



LTPOW

260mA Lithium-ion battery charger for JOGGER60.

This extra charger allows you to charge your battery independently from the JOGGER60.



5 - Technical specifications

Loudspeaker	5 1/4" (13 cm) Boomer 4 Ohms + 1" 6 Ohms tweeter
Power output	58W at 4 Ohms
Frequency response	30Hz - 20KHz (+/-3dB)
T.H.D.	< -0.5%
S/N ratio	> 90dB
UHF mic	UHF with 16 frequencies
Frequency range	UHF 863-865 Mhz
Frequency deviation	UHF : +/-40KHz
Oscillation	PLL synthesising
Reader	USB key or SD card reader. Supplied with an infrared remote control
Audio inputs	AUX IN input via Jack 3.5 (line level) and Mic input via Jack 6.35
Autonomy	2 to 8 hours depending on the volume
Recharge time	Approximately 4h30
Batteries / Power supply	Lithium 14.4V - 2.6Ah / Power supply 19V - 2.63A
Power management	Visualise the charge level via LED display. Charge it and use it simultaneously. Automatic shutdown in case of low battery level.
Settings	Reader volume, UHF mic volume, main volume, echo settings
Accessories	Supplied with messenger bag and shoulder strap
Finish	Polypropylene speaker, steel grille. 3/8" microphone mounting plate.
Dimensions in mm	325 x 180 x 230
Net weight including batteries	2.8 kg

Because AUDIOPHONY® takes the utmost care in its products to make sure you only get the best possible quality, our products are subjects to modifications without prior notice. That is why technical specifications and the products physical configuration might differ from the illustrations.

Make sure you get the latest news and updates about the AUDIOPHONY® products on www.audiophony.com
AUDIOPHONY® is a trademark of HITMUSIC S.A. - Zone Cahors sud - 46230 FONTANES - FRANCE