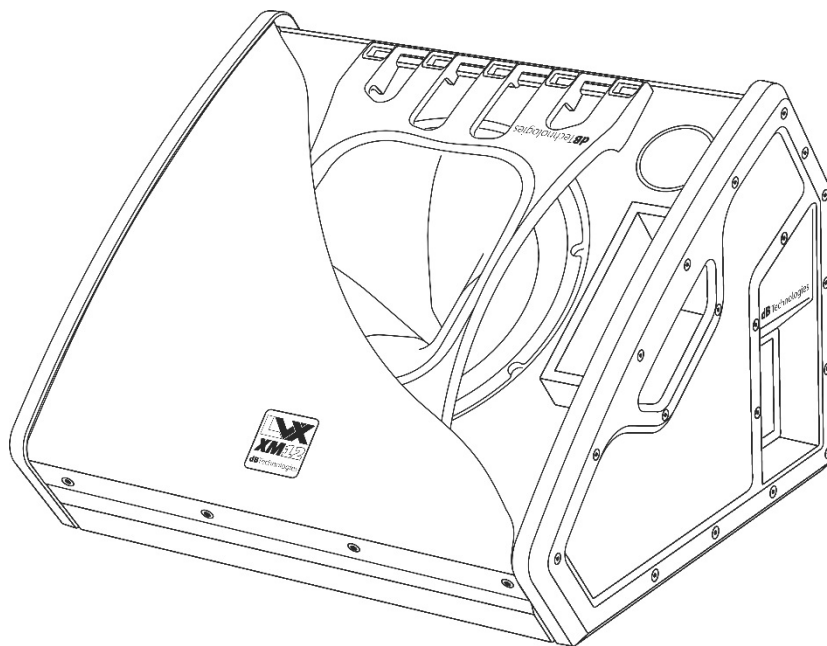


# LVX XM12

## COAXIAL ACTIVE STAGE MONITOR

### Quick start user manual

#### *Section 1*

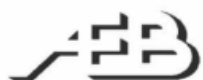


The warnings in this manual must be observed together with the "User Manual - Section 2".

Le avvertenze nel presente manuale devono essere osservate congiuntamente al "MANUALE D'USO - Sezione2".

Die Warnungen in diesem Handbuch müssen in Verbindung mit der "BEDIENUNGSANLEITUNG - Abschnitt 2" beobachtet werden".

Les avertissements spécifiés dans ce manuel doivent être respectés ainsi que les "CARACTERISTIQUES TECHNIQUES - Section 2"



A.E.B. Industriale Srl Via Brodolini, 8 Località Crespellano 40053 VALSAMOGGIA BOLOGNA (ITALIA)  
Tel +39 051 969870 Fax +39 051 969725 [www.dbtechnologies.com](http://www.dbtechnologies.com) [info@dbtechnologies-aeb.com](mailto:info@dbtechnologies-aeb.com)



## Thank you for choosing a dBTechnologies Product!

LVX XM12 is a powerful 2-way coaxial active monitor, equipped with one 1" compression driver exit (1.4" voice coil) and one 12" woofer (2.5" voice coil). The coaxial transducers configuration guarantee an outstanding audio definition. The powerful DIGIPRO® G3 amplifier section, capable of handling up to 600 W (RMS power), is controlled by a DSP, which can perform a detailed customization of the output sound of the monitor. In particular, 8 DSP preset positions are available.

Check the site [www.dbtechnologies.com](http://www.dbtechnologies.com) for the complete user manual!

### 1) Unpacking

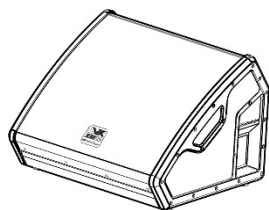
The box contains:

- N°1 LVX XM12
- N°1 Mains cable with Neutrik® powerCON connector
- N°1 100-120 V FUSE
- This quick start and warranty documentation.

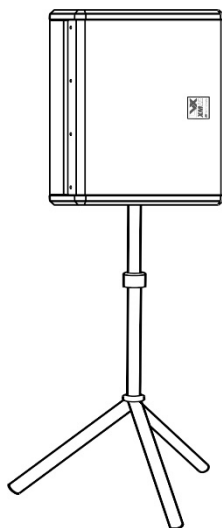
### 2) Easy Assembly

The speaker can be installed in 2 main modes:

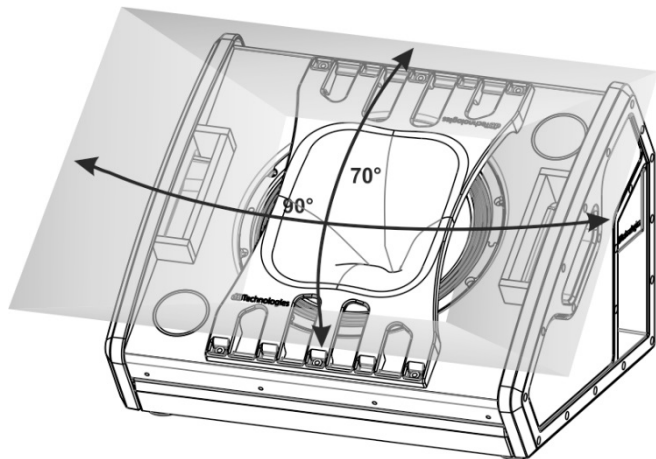
Wedge



On stand



For each configuration, refer to the acoustic coverage HxV: 90x70°.



LVX XM12

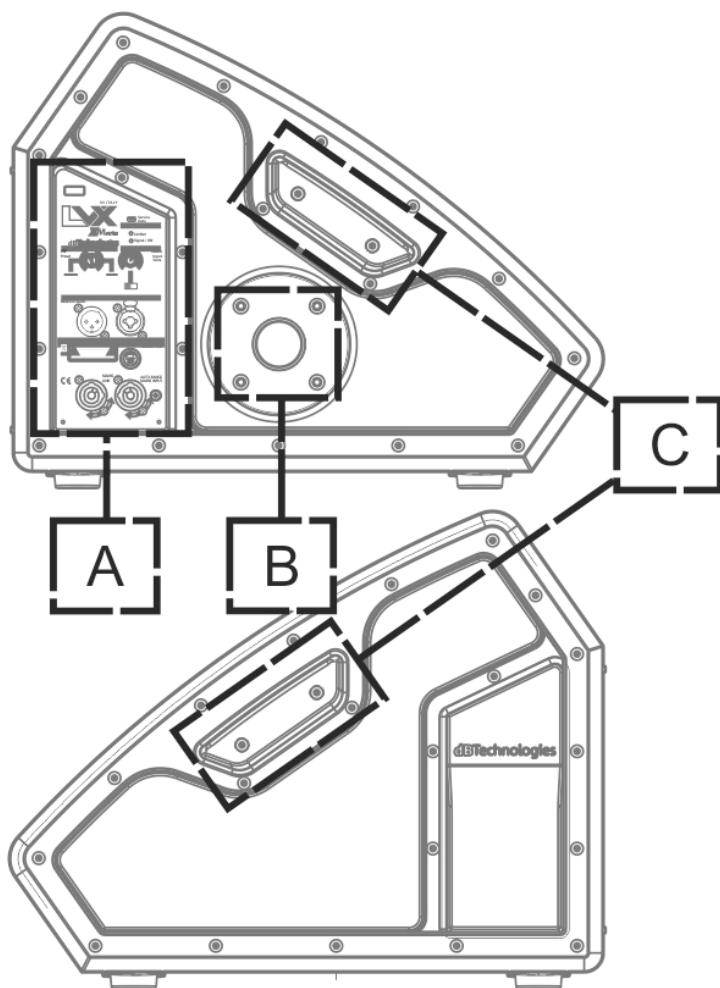
### 3) Lateral panels

LVX XM12 lateral panels are equipped with:

Amplifier control panel (A), which allows all the connections and DSP settings for different configurations.

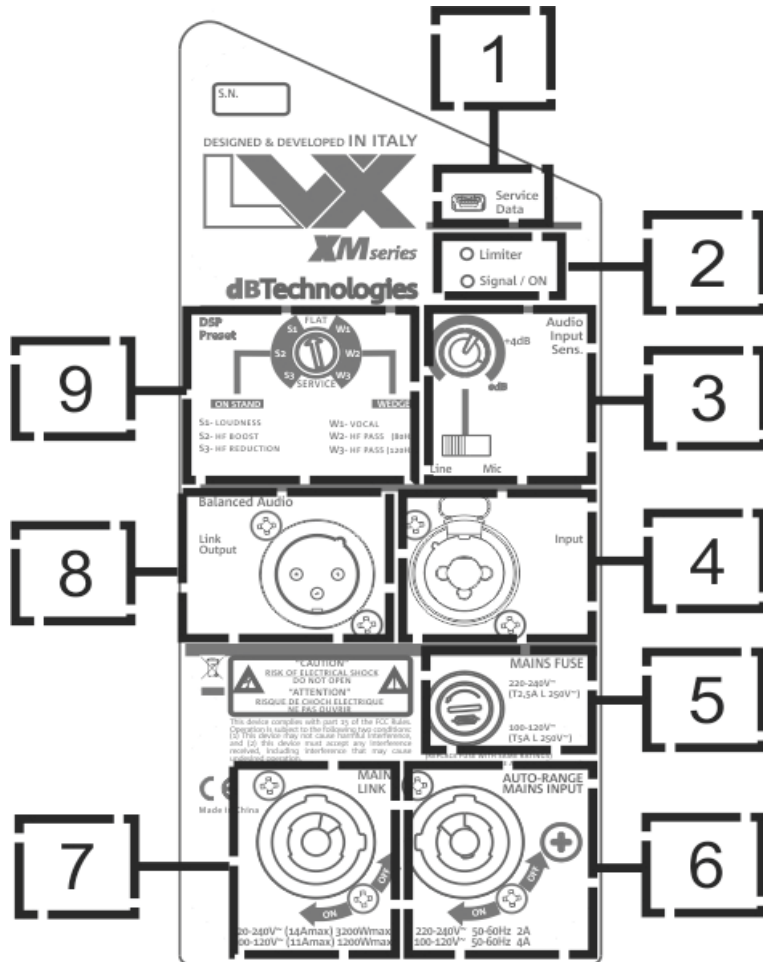
36 mm pole mount (B), useful for "On stand" type of installation. In this way LVX XM12 can be also used as a PA system.

Handles (C), for an easy and quick handling.



## 4) Amplifier control panel

The DIGIPRO® G3 amplifier of LVX XM12 is controlled by a powerful DSP. All the connections and settings are in the amplifier control panel (A):



- 1 – Service data mini B-type USB port
- 2 – Limiter and Signal/ON leds
- 3 – Input sensibility switch (LINE/MIC) and level control
- 4 – Combo line/mic input
- 5 – Mains fuse
- 6 – Auto-range mains (power) input
- 7 – Mains (power) link output
- 8 – Link audio output
- 9 – DSP preset BCD rotary switch

### WARNING

*The fuse is factory setted for 220-240 V operation.*

*If it is necessary to change the fuse to 100-120V range:*

1. Disconnect the speaker from any cable
2. Wait 5 minutes
3. Substitute the fuse with the correct one supplied

*Use only cables with Neutrik® connectors!*

## 5) Set up and first switch on instructions

### 1 – Choose the type of installation

- a) Wedge: check the safe and proper position on the stage especially avoiding acoustic obstacles.
- b) On stand: use a 35 mm diameter pole stand checking the safety and stability of installation.

### 2 – Connect your equipment

Connect the audio input (4) (remember to select the proper “LINE”/”MIC” choice in input sensibility switch (3)). If you need further links connections use the mains power link (7) and/or audio link (8). Set the audio input level (3) to 0 dB.

### 3 – Select the desired DSP preset

Choose the right DSP configuration using the rotary switch (9). You can choose:

- a) FLAT, for a flat frequency response
- b) W1 - VOCAL, for an enhanced frequency response, particularly suited for the singing and spoken audio signal (in “wedge” installation)
- c) W2 – HF PASS (80 Hz), to apply a HF filter (80 Hz cutoff frequency) (in “wedge” installation)
- d) W3 – HF PASS (120 Hz), to apply a HF filter (120 Hz cutoff frequency) (in “wedge” installation)
- e) SERVICE, to update the firmware (use the proper USB-port (1) for this operation)
- f) S1 - LOUDNESS, for a low-frequencies enhancement, in case of installation on a pole stand
- g) S2 – HF BOOST, for a high-frequencies enhancement, in case of installation on a pole stand
- h) S3 – HF REDUCTION, for a high frequencies reduction, in case of installation on a pole stand

### 4 – Switch on the monitor

Connect the power supply (6) and turn the audio input level (3) to the desired value. Check the correct connection and volume level of the input audio source. The signal/On led (2) starts blinking at the presence of audio signal. Avoid audio distortion conditions, potentially signaled by the Limiter led (2).

For further information, download the complete user manual: [www.dbtechnologies.com/EN/Downloads.aspx](http://www.dbtechnologies.com/EN/Downloads.aspx)

## Technical Data

**Speaker Type:** 2-way Coaxial Active Stage Monitor

## Acoustical data

**Frequency Response [-6dB]:** 69 - 17800 Hz

**Max SPL:** 127 dB

**HF compression driver:** 1" Exit

**HF voice coil:** 1.4"

**Horn Coverage (HxV):** 90 x 70°

**Crossover frequency:** 1700 Hz

**LF:** 12"

**LF Voice Coil:** 2.5"

## Amplifier

**Amp Technology:** Digipro® G3

**Amp Class:** Class-D

**RMS Power:** 600 W

**Peak Power:** 1200 W

## Processor

**Controller:** DSP 56 bit

**AD/DA Converter:** 24 bit / 48 kHz

**Limiter:** Peak, Thermal

**Controls:** Rotary BCD 8 positions, MIC/LINE switch

**Rotary presets:** 8 positions

## Input

**Mains connections:** PowerCON In/link

**Signal Input:** 1x Combo IN (XLR/Jack)

**Signal Out:** 1 XLR link OUT

**USB connector:** mini USB B-type (for SERVICE DATA)

## Mechanics

**Housing:** Plywood with black pvc cover

**Grille:** Metal black painted

**Handles:** 2, chassis-integrated

**Pole Mount:** Yes, 36 mm

**Width:** 515 mm (20,28 in)

**Height:** 460 mm (18,11 in)

**Depth:** 370 mm (14,57 in)

**Weight:** 20,1 kg – 44,31 lbs.



Scan with your QR Reader  
App to download the  
complete User Manual

Download the complete user manual on:

[www.dbtechnologies.com/EN/Downloads.aspx](http://www.dbtechnologies.com/EN/Downloads.aspx)

## EMI CLASSIFICATION

According to the standards EN 55103 this equipment is designed and suitable to operate in E3 (or lower E2, E1) Electromagnetic environments.

## FCC CLASS B STATEMENT ACCORDING TO TITLE 47, PART 15, SUBPART B, §15.105

This equipment has been tested and found to comply with the limits for a Class B digital device, pursuant to part 15 of the FCC Rules.

These limits are designed to provide reasonable protection against harmful interference in a residential installation.

This equipment generates, uses and can radiate radio frequency energy and, if not installed and used in accordance with the instructions, may cause harmful interference to radio communications.

However, there is no guarantee that interference will not occur in a particular installation. If this equipment does cause harmful interference to radio or television reception, which can be determined by turning the equipment off and on, the user is encouraged to try to correct the interference by one or more of the following measures:

1. Reorient or relocate the receiving antenna.
2. Increase the separation between the equipment and receiver.
3. Connect the equipment into an outlet on a circuit different from that to which the receiver is connected.
4. Consult the dealer or an experienced radio/TV technician for help.

**WARNING:** Make sure that the loudspeaker is securely installed in a stable position to avoid any injuries or damages to persons or properties. For safety reasons do not place one loudspeaker on top of another without proper fastening systems. Before hanging the loudspeaker check all the components for damages, deformations, missing or damaged parts that may compromise safety during installation. If you use the loudspeakers outdoor avoid spots exposed to bad weather conditions. Contact dB Technologies for accessories to be used with speakers. dBTechnologies will not accept any responsibility for damages caused by inappropriate accessories or additional devices.

*Features, specification and appearance of products are subject to change without notice.*

*dBTechnologies reserves the right to make changes or improvements in design or manufacturing without assuming any obligation to change or improve products previously manufactured.*