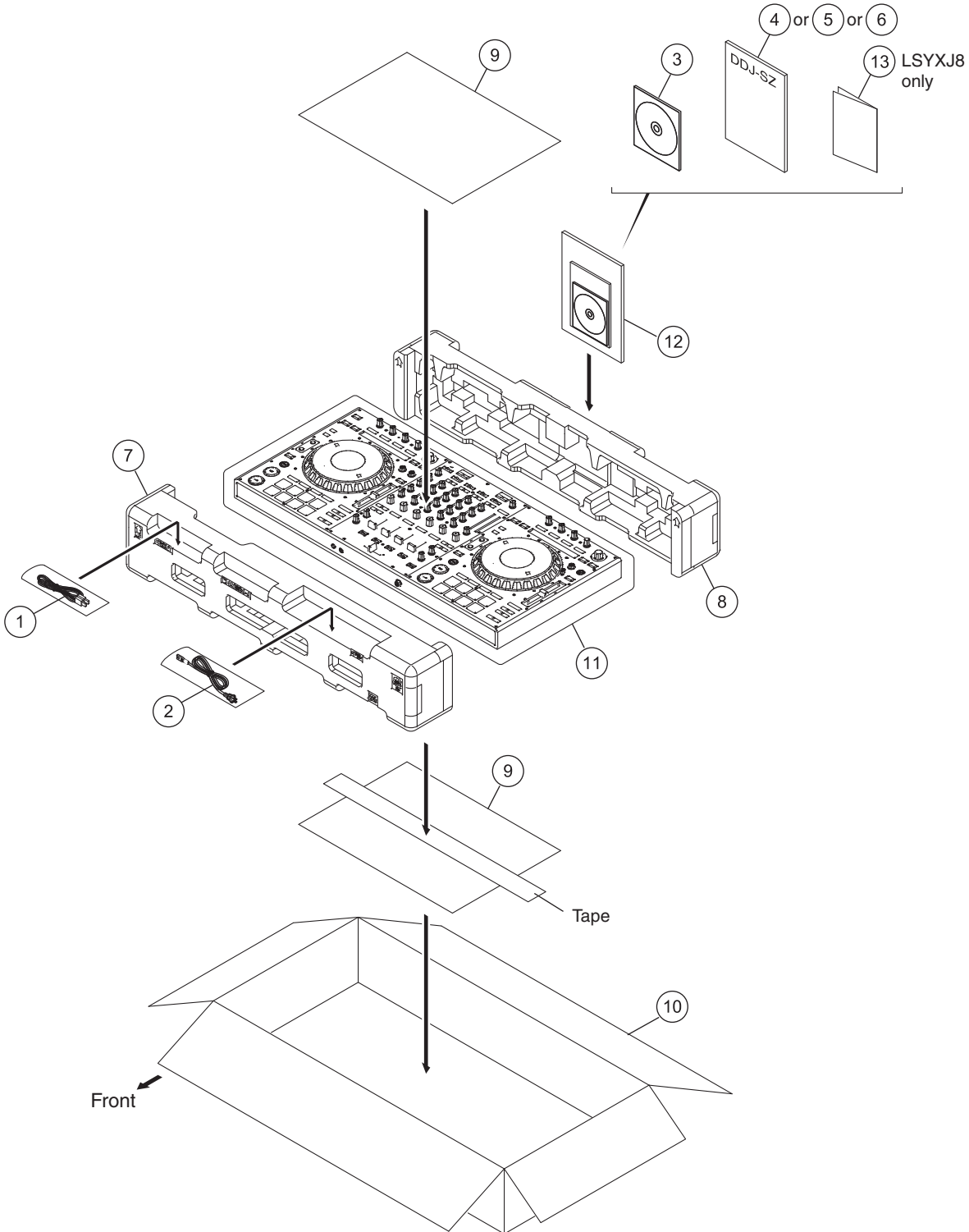


9. EXPLODED VIEWS AND PARTS LIST

NOTES: ● Parts marked by "NSP" are generally unavailable because they are not in our Master Spare Parts List.

- The \triangle mark found on some component parts indicates the importance of the safety factor of the part. Therefore, when replacing, be sure to use parts of identical design.
- Screws adjacent to ∇ mark on product are used for disassembly.
- For the applying amount of lubricants or glue, follow the instructions in this manual. (In the case of no amount instructions, apply as you think it appropriate.)

9.1 PACKING SECTION



(1) PACKING SECTION PARTS LIST

Mark No.	Description	Part No.
	1 USB Cable	DDE1128
⚠	2 Power Cord	See Contrast table (2)
	3 CD-ROM (Installation Disc)	DXX2754
	4 Operating Instructions (Basic Edition)	See Contrast table (2)
	5 Operating Instructions (Basic Edition)	See Contrast table (2)
	6 Operating Instructions (Basic Edition)	See Contrast table (2)
	7 Pad/F	DHA1904
	8 Pad/R	DHA1905
	9 Packing Board/ACC	DHC1084
	10 Packing Case	See Contrast table (2)
	11 Mirror Mat (1200*1000)	DHL1169
NSP	12 Polyethylene Bag	AHG7117
NSP	13 Warranty Card	See Contrast table (2)

(2) CONTRAST TABLE

DDJ-SZ/UXJCB, LSYXJ8 and XJCN5 are constructed the same except for the following:

Mark	No.	Symbol and Description	DDJ-SZ /UXJCB	DDJ-SZ /LSYXJ8	DDJ-SZ /XJCN5
⚠	2	Power Cord	DDG1108	ADG1244	DDG1114
	4	Operating Instructions (Basic Edition)(En)	DRH1247	Not used	Not used
	5	Operating Instructions (Basic Edition)(En, Fr, De, It, NI, Es, Pt, Ru)	Not used	DRH1249	Not used
	6	Operating Instructions (Basic Edition)(Zhc)	Not used	Not used	DRH1250
	10	Packing Case	DHG3305	DHG3304	DHG3308
NSP	13	Warranty Card	Not used	ARY7158	Not used

5 6 7 8

9. EXPLODED VIEWS AND PARTS LIST

NOTES:

- Parts marked by “NSP” are generally unavailable because they are not in our Master Spare Parts List.
- The \triangle mark found on some component parts indicates the importance of the safety factor of the part. Therefore, when replacing, be sure to use parts of identical designation.
- Screws adjacent to ∇ mark on product are used for disassembly.
- For the applying amount of lubricants or glue, follow the instructions in this manual. (In the case of no amount instructions, apply as you think it appropriate.)

9.1 PACKING SECTION

(1) PACKING SECTION PARTS LIST

Mark	No.	Description	Part No.	Mark	No.	Description	Part No.
	1	USB Cable	DDE1128		9	Packing Case	See Contrast table (2)
\triangle	2	Power Cord	See Contrast table (2)		10	Mirror Mat (1200*1000)	DHL1169
	3	Operating Instructions (Quick Start Guide)	See Contrast table (2)	NSP	11	Polyethylene Bag	AHG7117
	4	Operating Instructions (Quick Start Guide)	See Contrast table (2)	NSP	12	Warranty	See Contrast table (2)
	5	Operating Instructions (Quick Start Guide)	See Contrast table (2)		13	•••••	
	6	Pad/F	DHA1914	NSP	14	Leaflet	DRM1420
	7	Pad/R	DHA1915	NSP	15	Leaflet	DRM1421
	8	•••••		NSP	16	Voucher Code Label Assy	DXA2342
				NSP	17	Voucher Code Label Assy	DXA2343

(2) CONTRAST TABLE

DDJ-SZ2/LSYXJ, UXJCB and XJCN are constructed the same except for the following:

Mark	No.	Symbol and Description	DDJ-SZ2/LSYXJ	DDJ-SZ2/UXJCB	DDJ-SZ2/XJCN
\triangle	2	Power Cord	ADG1244	DDG1108	DDG1114
	3	Operating Instructions (Quick Start Guide) (En, Fr, De, It, Nl, Es, Pt, Ru)	DRH1410	Not used	Not used
	4	Operating Instructions (Quick Start Guide)(En)	Not used	DRH1411	Not used
	5	Operating Instructions (Quick Start Guide)(Zhn)	Not used	Not used	DRH1413
NSP	9	Packing Case	DHG3528	DHG3529	DHG3531
	12	Warranty	DRY1270	Not used	Not used

DDJ-SZ2

5 6 7 8

21