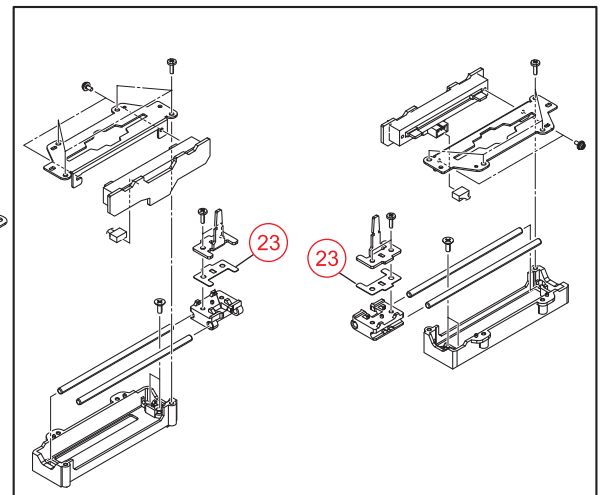
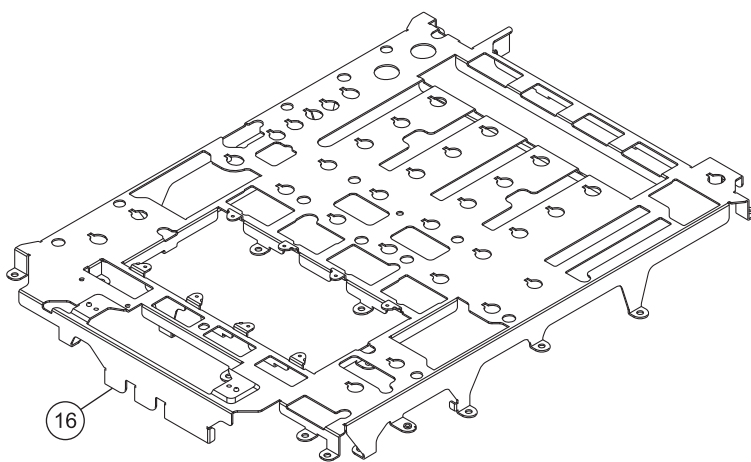


## 9.5 MIXER SECTION

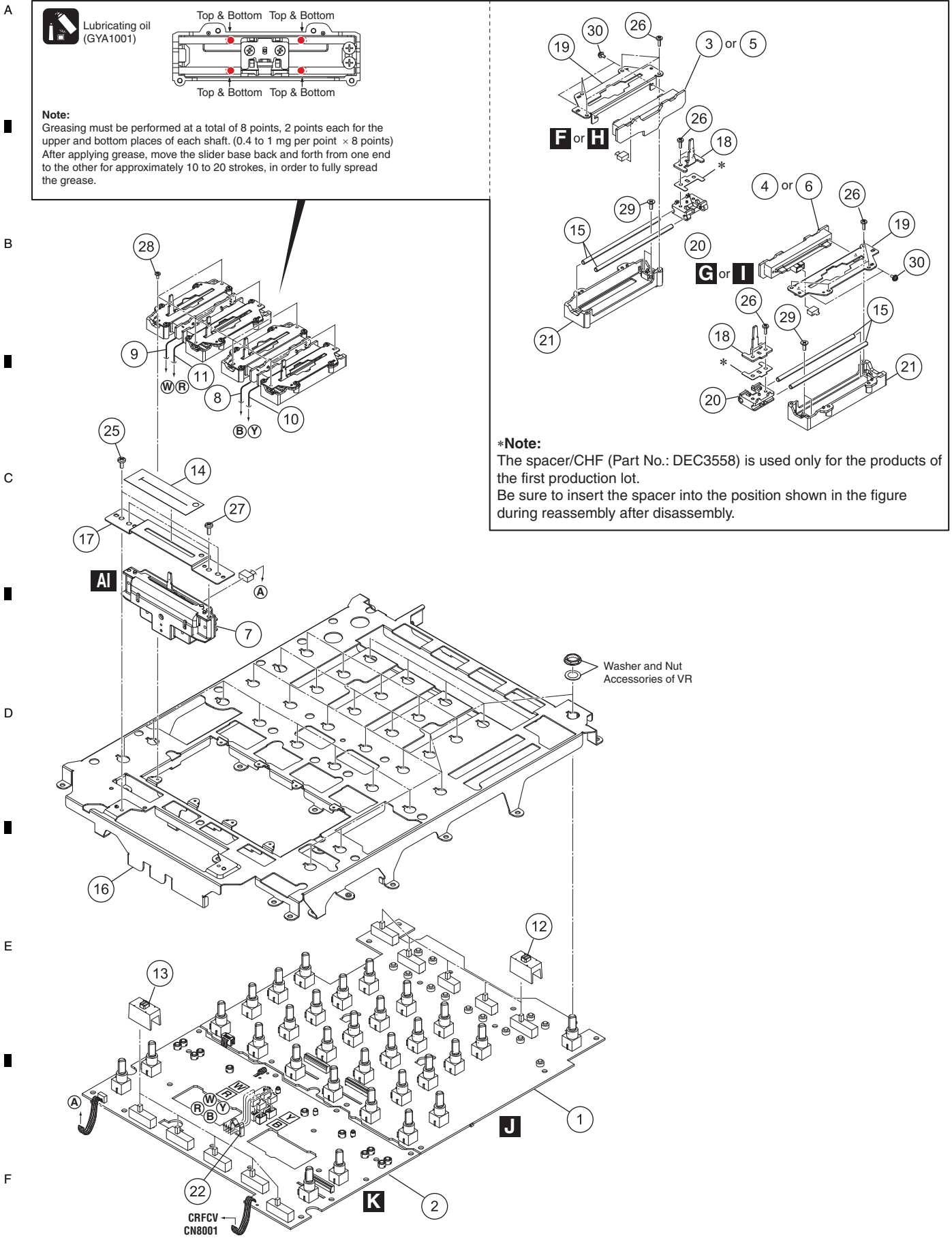
DDJ-SZ and DDJ-SZ2 are constructed the same except for the following:  
For convenience of the system, the part names for the DDJ-SZ2 are simplified. The part names in parentheses are those for the DDJ-SZ.

Mark	No.	Symbol and Description	DDJ-SZ	DDJ-SZ2	Remarks
	1	MXRA Assy	DWX3543	DWX3954	
	2	MXRB Assy	DWX3544	DWX3964	
	3	FAD1 Assy	DWX3540	DWX3772	
	4	FAD2 Assy	DWX3541	DWX3773	
	5	FAD3 Assy	DWX3539	DWX3771	
	6	FAD4 Assy	DWX3542	DWX3774	
	16	Stay/MIX Spacer/CHF	DND1280 Not used	DND1285 DEC3558	No. 23

### MIXER SECTION



# 9.5 MIXER SECTION



**MIXER SECTION PARTS LIST**

<b>Mark No.</b>	<b>Description</b>	<b>Part No.</b>	
1	MXRA Assy	DWX3543	
2	MXRB Assy	DWX3544	A
3	FAD1 Assy	DWX3540	
4	FAD2 Assy	DWX3541	
5	FAD3 Assy	DWX3539	
6	FAD4 Assy	DWX3542	
7	CROSS FADER Assy	DXA2257	
8	Connector Assy	PF03PP-B12	
9	Connector Assy	PF03PP2B07	
10	Connector Assy	PF03PP4B12	
11	Connector Assy	PF03PP6B07	B
12	Slide SW Cap	DAC2400	
13	Slide SW Cap (W)	DAC2401	
14	Packing/FAD	DEC3542	
NSP 15	Guide Shaft (S)	DLA1918	
16	Stay/MIX	DND1280	
17	Stay/CRF	DNF1936	
18	Lever Plate	DNH2954	
19	VR Stay	DNH2955	
20	Slider Base	DNK5851	C
21	Shaft Holder	DNK5852	
22	Holder	VEC1355	
23	•••••		
24	•••••		
25	Screw	BBZ30P060FTB	
26	Screw	BPZ20P060FTC	
27	Screw	BPZ30P080FNI	
28	Screw	BSZ20P040FTB	
29	Screw	CPZ26P080FTC	D
30	Screw	PMH20P040FTC	