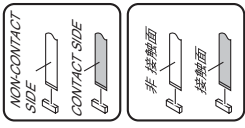
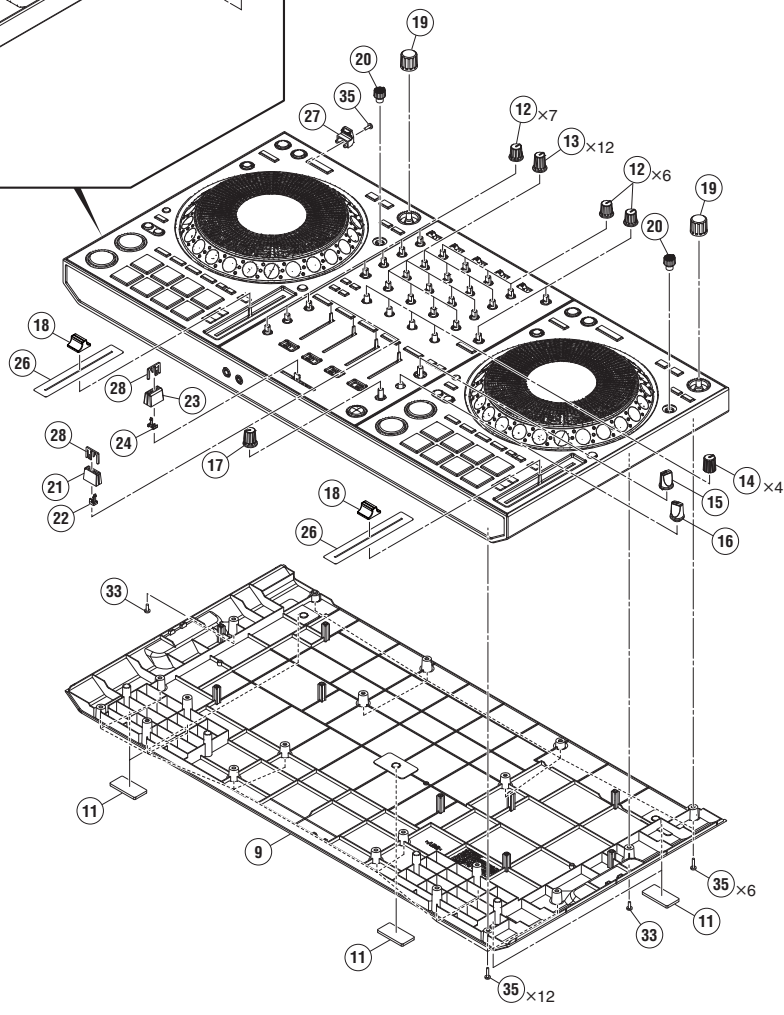
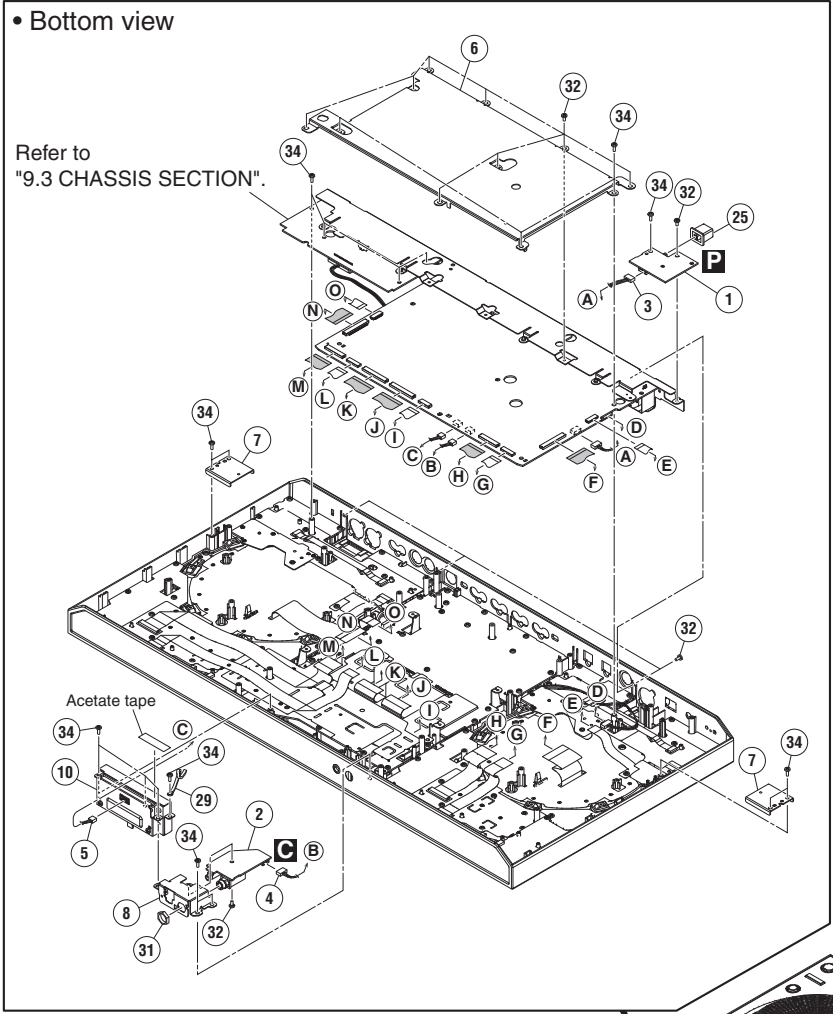


# 9.2 BOTTOM SECTION



**(1) BOTTOM SECTION PARTS LIST**

<u>Mark No.</u>	<u>Description</u>	<u>Part No.</u>
A	1 PSWB Assy	DWX4114
	2 HPJK Assy	DWX4116
	3 Connector Assy (05P)	PF05PP-D12
	4 Connector Assy	PF04PP-D10
	5 Connector Assy	PF03PP-B22
	6 Shield Plate	DNH3342
	7 Stay	DNH3351
	8 Stay	DNH3348
⚠	9 Chassis	DNK6747
	10 Cross Fader Service Assy	DEA1088
B	11 Sheet/LEG	DEC3534
	12 Knob	DAA1360
	13 Knob	DAA1361
	14 Knob	DAA1386
	15 Select Knob	DAA1205
	16 FX SEL Knob	DAA1213
	17 Knob	DAA1368
	18 Knob/SLD	DNK5981
	19 Dial Knob	DAA1246
C	20 Adjust Knob Black	DAC2528
	21 Slider Knob 1	DAC2684
	22 Stopper/SLD	DNK6009
	23 Knob	DAC3238
	24 Stopper	DNK6440
	25 Power Knob	DAC2306
	26 Slide Sheet 1C	DAH2404
	27 Cord Hook	DNK6755
	28 Slider Knob 2	DAC2685
D	29 Cord Clamper (Steel)	RNH-184
	30 •••••	
	31 Nut M12	DBN1018
	32 Screw	BBZ30P060FTB
	33 Screw	BBZ30P080FTB
	34 Screw	BPZ30P080FNI
	35 Screw	BPZ30P120FTB
E		
F		