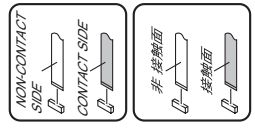
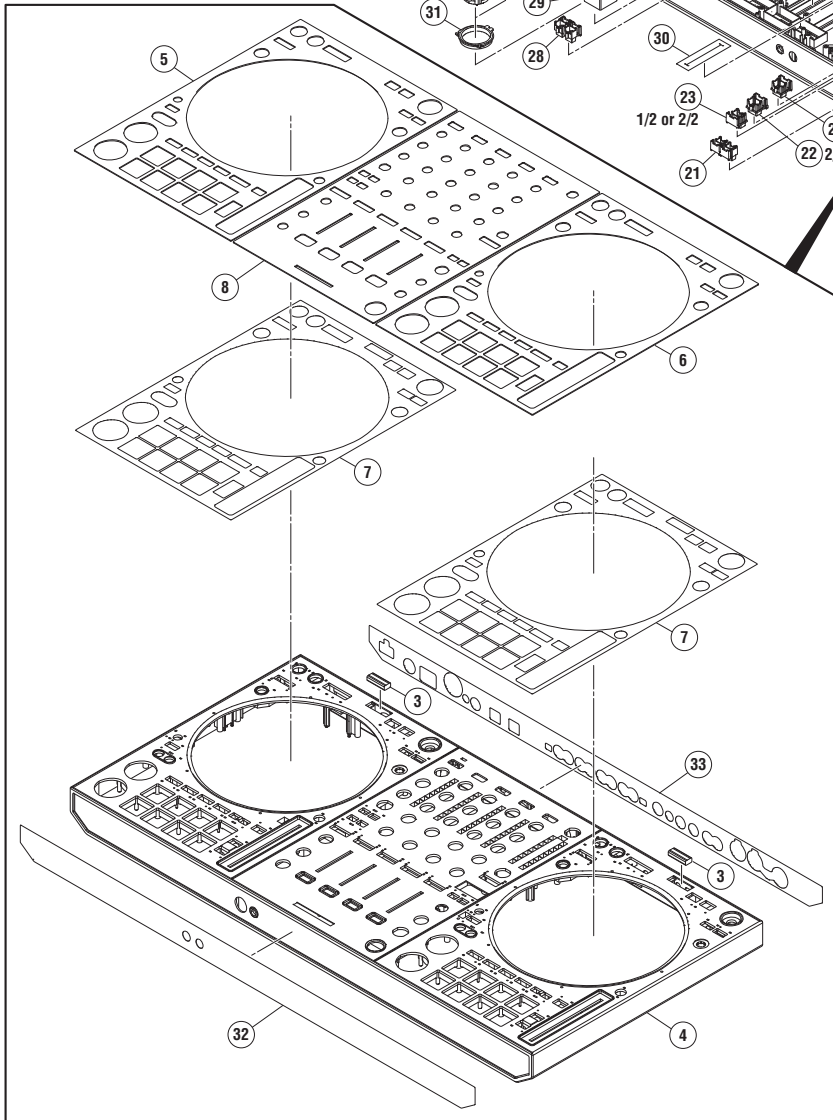
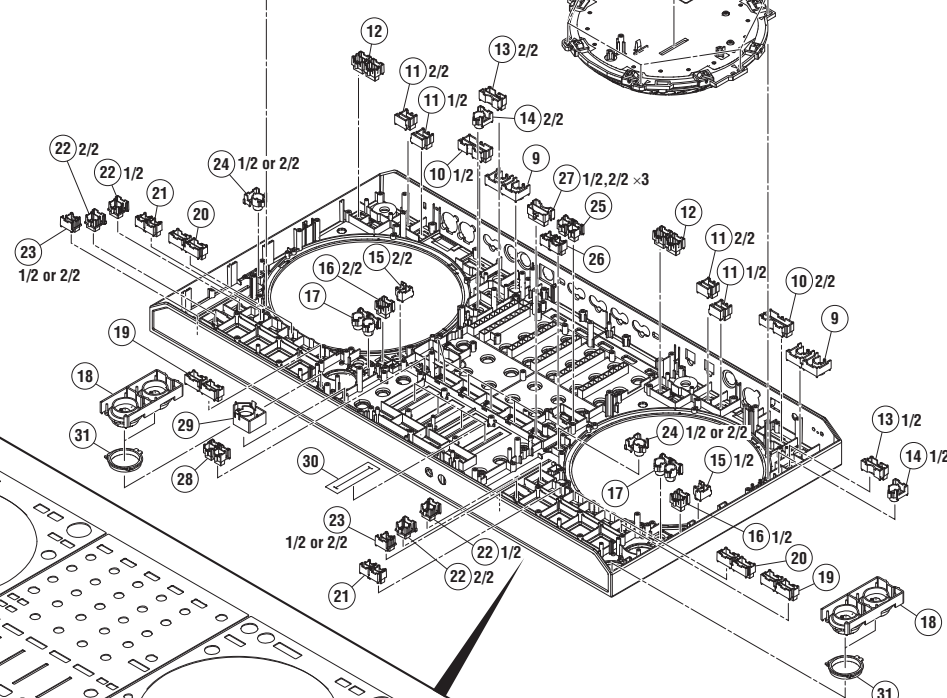
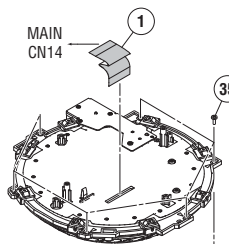
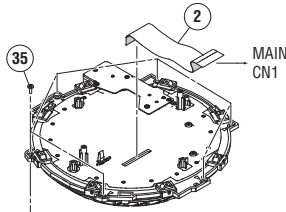
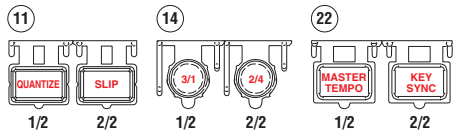


# 9.5 CONTROL PANEL SECTION (2/2)

A • Bottom view



5 6 7 8

**(1) CONTROL PANEL SECTION (2/2) SECTION PARTS LIST**

<u>Mark No.</u>	<u>Description</u>	<u>Part No.</u>	<u>Mark No.</u>	<u>Description</u>	<u>Part No.</u>
1	FFC	DDD1837	21	Button	DAC3366
2	FFC	DDD1838	22	Button	DAC3367
3	EMC Gasket	DEC3766	23	Button	DAC3368
⚠ 4	Control Panel	DNK6746	24	Button	DAC3369
5	Plate	DAH3190	25	Button	DAC3370
6	Plate	DAH3191	26	Button	DAC3371
7	DS Tape	DEH1095	27	Button	DAC3219
8	Plate	DAH3186	28	Button	DAC3372
9	Button/LOP	DAC3074	29	Button	DAC3141
10	Button	DAC3356	30	Fader Packing	DEC3355
11	Button	DAC3357	31	Ring Lens (PLAY)	DNK5315
12	Button	DAC3358	32	Sheet	DEC3763
13	Button	DAC3359	33	Sheet	See Contrast table (2)
14	Button	DAC3360	34	•••••	
15	Button	DAC3361	35	Screw	BPZ30P080FNI
16	Button	DAC3362			
17	Button	DAC3363			
18	Button	DXB2189			
19	Button	DAC3364			
20	Button	DAC3365			

**(2) CONTRAST TABLE**

DDJ-1000/FWLPWXJ, SYXJ, UXJCB and XJCN are constructed the same except for the following:

Mark	No.	Symbol and Description	DDJ-1000 /FWLPWXJ	DDJ-1000 /SYXJ	DDJ-1000 /UXJCB	DDJ-1000 /XJCN
	33	Sheet	DEC3800	DEC3800	DEC3800	DEC3801

DDJ-1000

5 6 7 8

93