

9.6 JOG DIAL SECTION

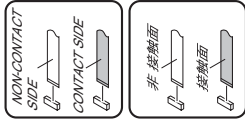
1

2

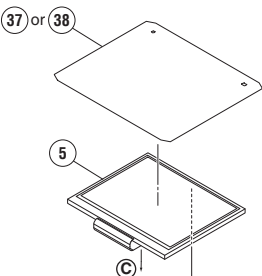
3

4

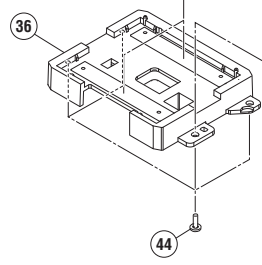
A



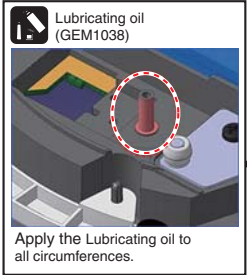
B



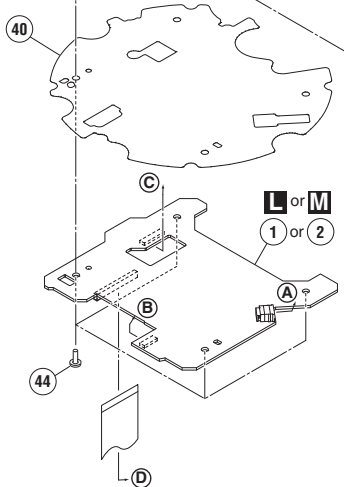
C



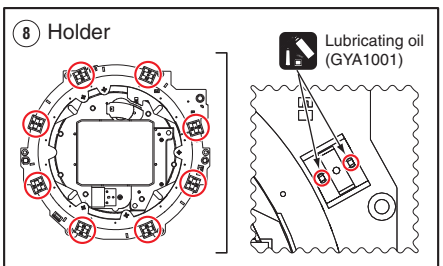
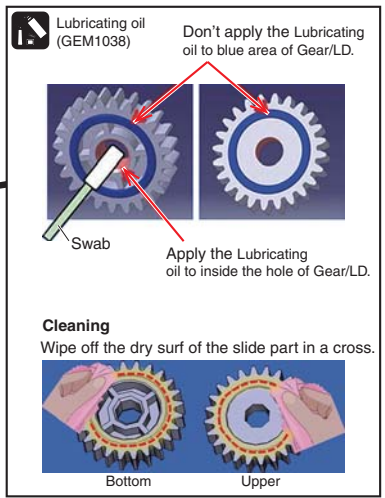
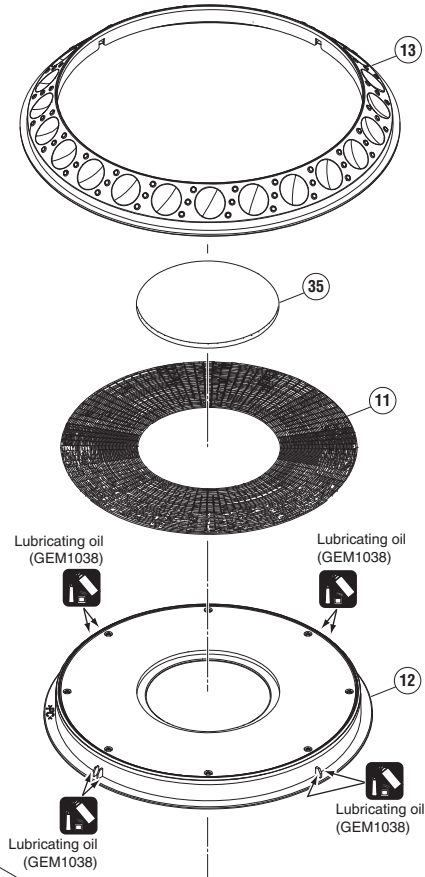
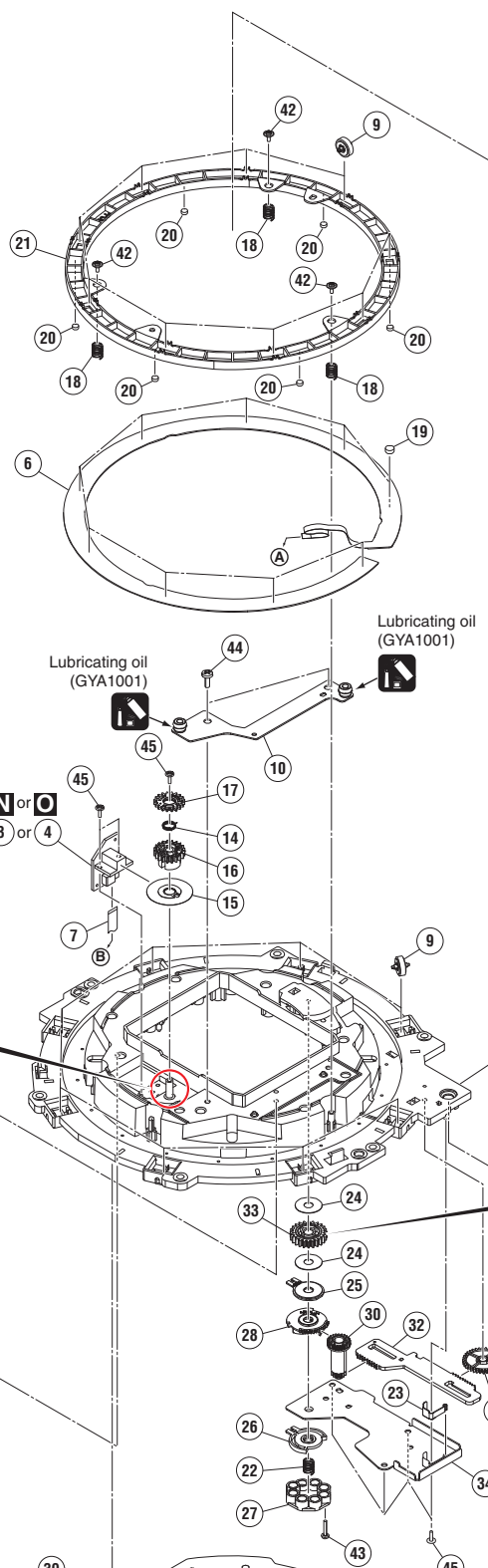
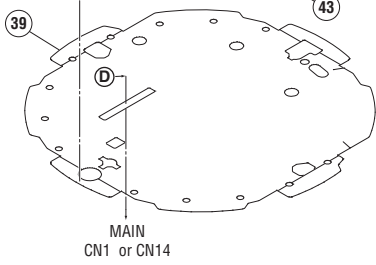
D



E



F



1

2

3

4

JOG DIAL SECTION PARTS LIST

| <u>Mark No.</u> | <u>Description</u> | <u>Part No.</u> | |
|-----------------|--------------------|-----------------|---|
| 1 | LCDL Assy | DWX4105 | |
| 2 | LCDR Assy | DWX4118 | A |
| 3 | JOGL Assy | DWX4113 | |
| 4 | JOGR Assy | DWX4119 | |
| 5 | TFT LCD | DWX4141 | |
| 6 | Sheet SW | DSX1078 | |
| 7 | FFC | DDD1843 | |
| 8 | Holder | DNK6745 | |
| 9 | Roller | DXB2178 | |
| 10 | Stay Assy/JOG | DXB2133 | |
| 11 | JOG Plate | DAH2679 | B |
| 12 | JOG Dial A Assy | DXA2159 | |
| 13 | JOG B | DNK4068 | |
| 14 | Encoder Spring | DBH1710 | |
| 15 | Plate | DEC3700 | |
| 16 | Gear/A | DNK6143 | |
| 17 | Gear/B | DNK6144 | |
| 18 | SW Spring | DBH1681 | |
| 19 | SW Cushion HH48/2 | DEC2538 | |
| 20 | Cushion/RNG | DEC3466 | C |
| 21 | SW Ring | DNK5233 | |
| 22 | Coil Spring/LD | DBH1798 | |
| 23 | Leaf Spring/ADJ | DBK1376 | |
| 24 | Washer | DEC3137 | |
| 25 | Smoother | DNK5237 | |
| 26 | Comp Plate | DNK5243 | |
| 27 | Adjust Plate | DNK5300 | |
| 28 | Cam Plate | DNK5301 | |
| 29 | Dial Gear | DNK5302 | |
| 30 | Link Gear A | DNK5303 | D |
| 31 | Link Gear B | DNK5304 | |
| 32 | Plate | DNK6748 | |
| 33 | Gear/LD | DNK6145 | |
| 34 | Plate | DNH3345 | |
| 35 | Window | DAH3189 | |
| 36 | Holder | DNK6749 | |
| 37 | Sheet | DEC3768 | |
| 38 | Sheet | DEC3779 | E |
| 39 | Barrier | DEC3798 | |
| 40 | Barrier | DEC3799 | |
| 41 | | | |
| 42 | Screw (FE) | DBA1265 | |
| 43 | Screw | BPZ20P100FTC | |
| 44 | Screw | BPZ30P080FNI | |
| 45 | Screw | IPZ20P060FTC | |