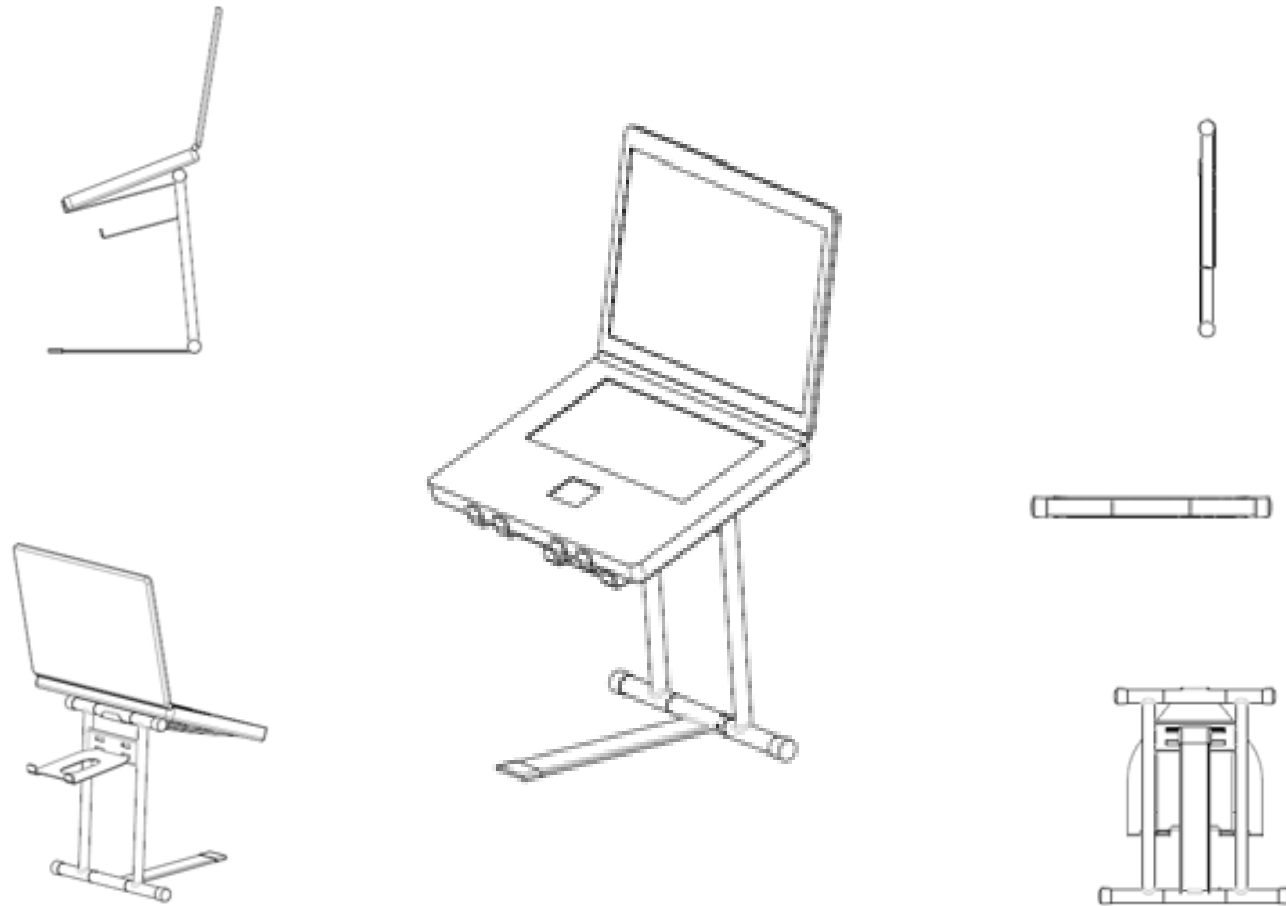




THE
CRANE
STANDARD

Owner's Manual

THE CRANE STANDARD



The Crane Standard™ (TCS) is the Heavy Duty Portable Laptop Stand

The Crane Standard provides a robust way to elevate your laptop above any flat and stable surface. TCS can accommodate the smallest and largest laptop computer or other weight/size comparable component. Please see weight restrictions for more information.

Model Number: CV1-STL

Table of Contents

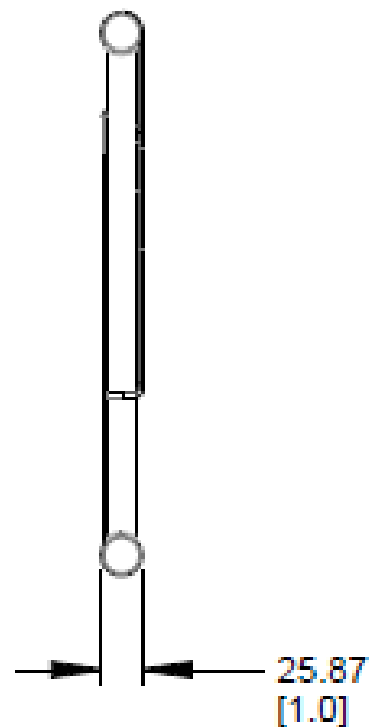
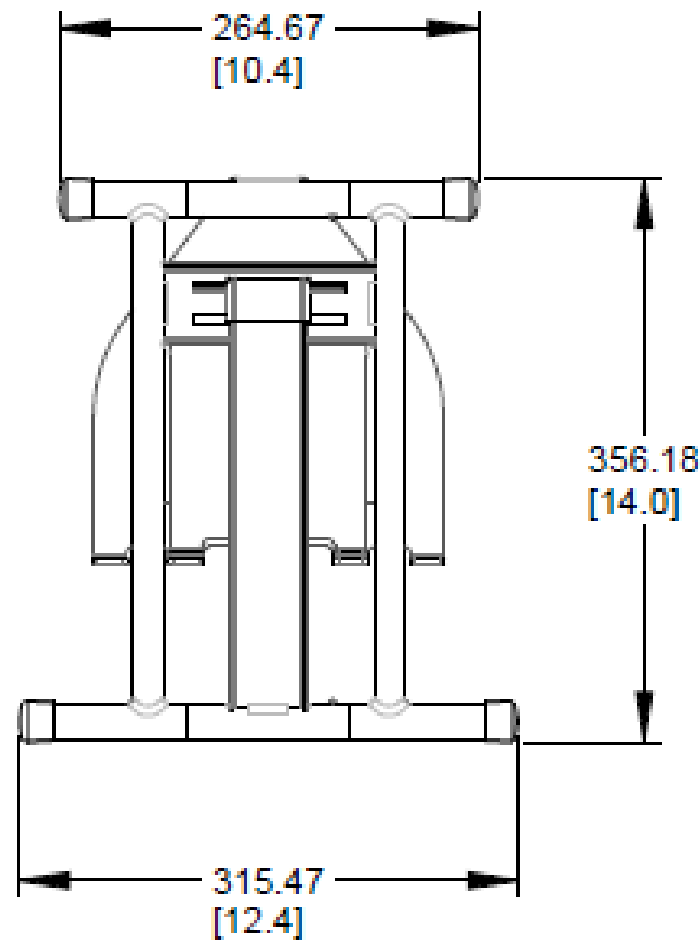
1 General Information.....	4
1.1.1 Specifications.....	4
1.2 Help With This Manual.....	5
1.3 About this Manual.....	5
1.4 Information and Safety Notes.....	5
1.5 30-Day Satisfaction Guarantee.....	6
1.6 The Crane Standard™ Contact Information.....	6
1.7 Hours of Operation.....	6
1.8 Parts Ordering Procedure.....	7
1.9 Returning The Crane Standard™ for Repairs.....	7
1.9.1 RMA Numbers.....	7
2 Operation of The Crane Standard™.....	8
2.1 General.....	8
2.2 Operation Procedures.....	8
2.2.1 Unpacking and Inspection.....	8
2.2.2 Parts Included.....	8
2.2.3 Positions.....	9
2.2.3.1 Closed.....	10
2.2.4 Features.....	10
2.2.5 Proper Usage.....	11
2.2.6 Warnings.....	12
2.2.6.1 Weight Overload.....	12
2.2.6.2 Tipping.....	12
3 Cleaning.....	13
3.1 Cleaning Procedures.....	13
4 Limited 1-Year Warranty.....	13

1. General Information

- Designed, tested and engineered by engineers, a fabricator, and a musician
- Constructed from Carbon Steel
- Precision welded joints utilizing the latest technologies
- High temp powder coat finish
- Each unit is inspected by production management

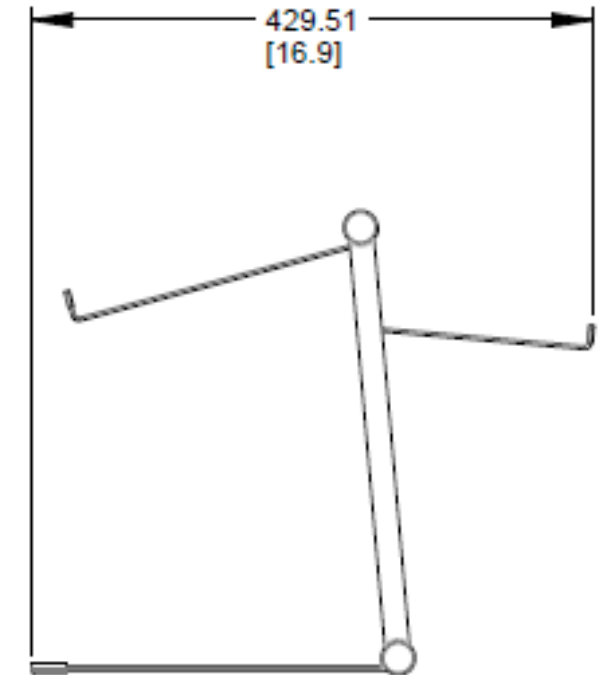
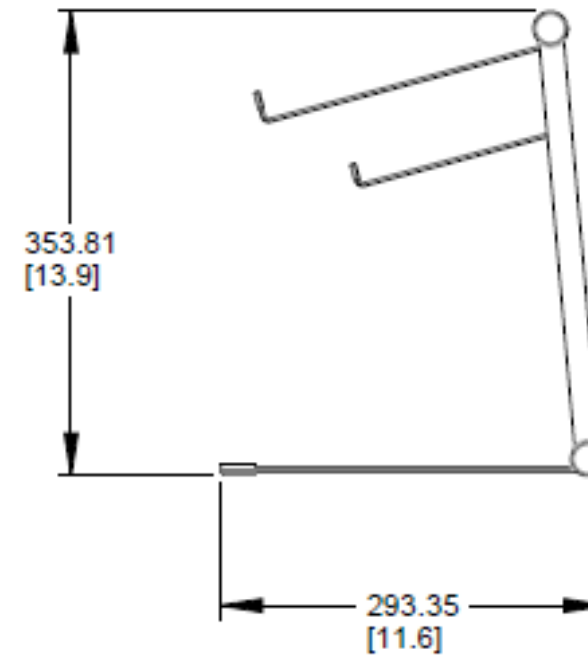
1.1.1 Specifications

Weight: ~5lbs/2.25 Kg



Size When Folded: 12.5 x 14 x 1.25 inches

Maximum lift height: 13.0506 inches



1.2 Help with this Manual

For the makers of The Crane Standard, customer service is the highest priority. If for any you have any questions that are or are not covered in this manual please feel free to email, or call us. See the Contact Information section of this manual.

1.3 About this Manual

Every attempt has been made to ensure that the information in this manual is correct and complete. We always welcome our customer's suggestions for improvements to our products and associated publications.

1.4 Information and Safety Notes

Throughout this manual you will find text under the headings **Note:** and **CAUTION:** Under **Note:** headings, you will be given additional information pertinent to the subject discussed in that paragraph or step.

Example:

NOTE: Ignoring either of these cautions will void the warranty and could result in damage to The Crane Standard or gear.

Under **CAUTION:** headings, you will be alerted to potentially hazardous conditions which, if ignored or mishandled, could result in damage to the equipment, or your Crane Stand.

Example:

CAUTION: NEVER attempt to adjust any component position without first releasing the push-pin locking mechanism as mentioned in the Features portion of this document.

1.5 30 Day Satisfaction Guarantee

Replace with the new Lever Assembly. If for any reason you are not happy with The Crane Standard within 30 days of your purchase, you may return it for a full refund.

Note: The refund does not include any additional shipping cost incurred nor does it cover any return shipping fees.

Note: If The Crane Standard is returned with significant damage including scratches, galled parts, nicks, dings, dents, or otherwise uses condition, there will be a re-stock fee applied. If the stand is not is acceptable usable condition, there will not be a refund applied and the unit will be sent back to the customer shipping collect.

1.6 The Crane Standard Contact Information

Email: Orders@thecranestand.com

Website: www.thecranestand.com

1.866.581.4522 phone/fax

1.7 Hours of Operation

In order to provide superior customer service, The Crane Stand is open for all callers between the hours of 9am and 5pm PST.

1.8 Parts Ordering Procedure

You can order new equipment, accessories, and/or replacement parts directly through Crane Hardware Customer Service, or an authorized Crane Stand Dealer. You can order directly by mail, telephone, or fax. Refer to TCS Contact Information above for address, telephone, and fax numbers. When ordering, please provide the following information:

Your name

Company name

Telephone number

Fax number

E-mail address

Shipping address

Billing address (if different from shipping address)

Names, part numbers, and quantities of items being Ordered

Credit card number and expiration date, or other

Payment information

Preferred method of shipment

Information on whether the items are required on a normal or urgent basis

1.9 Returning The Crane Standard for Repairs

1.9.1 RMA Numbers

If your stand should require return to Crane Hardware for repairs, discuss the problem with one of our Customer Service Representatives. Obtain an RMA number (Return Merchandise Authorization) from them before shipping the unit back. Note: Merchandise returned without an RMA number will not be accepted.

Ship documentation with the table including:

- Destination
- RMA Number
- Your name, company and address
- Your telephone number
- A description of the reason for returning the table

2. Operation of The Crane Standard™

2.1 General

This section guides you in operating The Crane Standard™. If you should require additional assistance, please feel free to call Crane Hardware Customer Service.

2.2 Operation Procedures

2.2.1 Unpacking and Inspection

If the shipping container appears damaged in any way, contact the shipping company immediately. Save all damaged packing materials to assist in proving liability for damage.

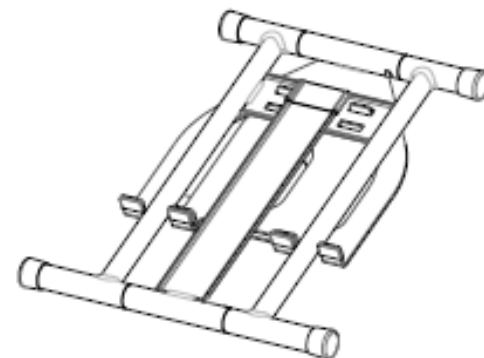
Carefully inspect your Crane Standard while you unpack it. If any damage is noted, or if parts appear to be missing, call TCS Customer Service at 1-866-581-4522.

2.2.2 Parts Included

Now that you have unpacked your Crane Standard, take a moment to familiarize yourself with your new Crane Standard and all of the components.

Quality design. Versatility. Reliability. Durability. Traveling capability.

Item	Description	Qty
1	Crane Standard	1
2	SubTray	1
3	Nylon Carry Bag	1



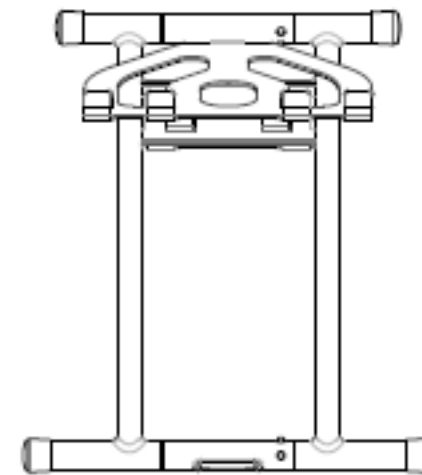
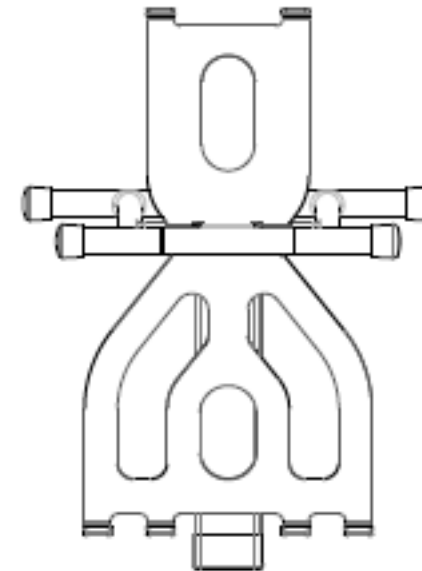
2.2.3 Positions

CAUTION: NEVER attempt to adjust any component position without first releasing the push-pin locking mechanism as mentioned in the Features portion of this document.

CAUTION: NEVER unlock the push-pin or attempt to adjust position while your gear is on the stand.

NOTE: Ignoring either of these cautions will void the warranty and could result in damage to The Crane Standard or your gear.

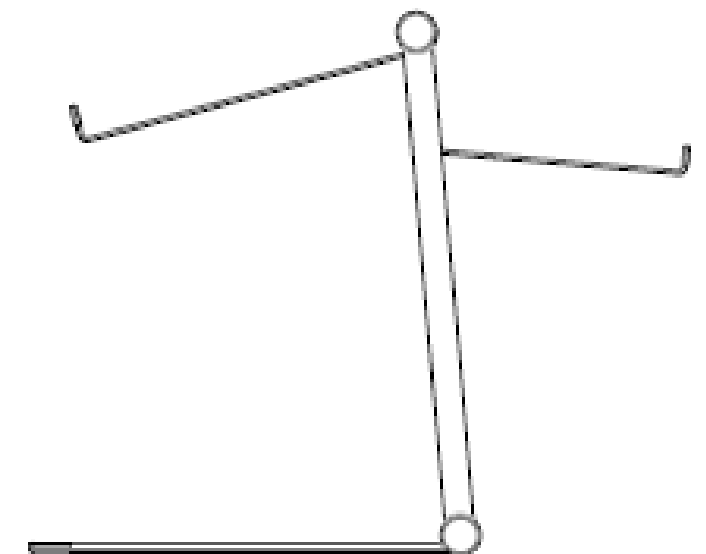
Open



Note: KNOW YOUR PRODUCT. It is incredibly important to take a few minutes to test your gear for size and weight compatibility and stability. We recommend practicing the adjustment procedure mentioned a little later in this document.

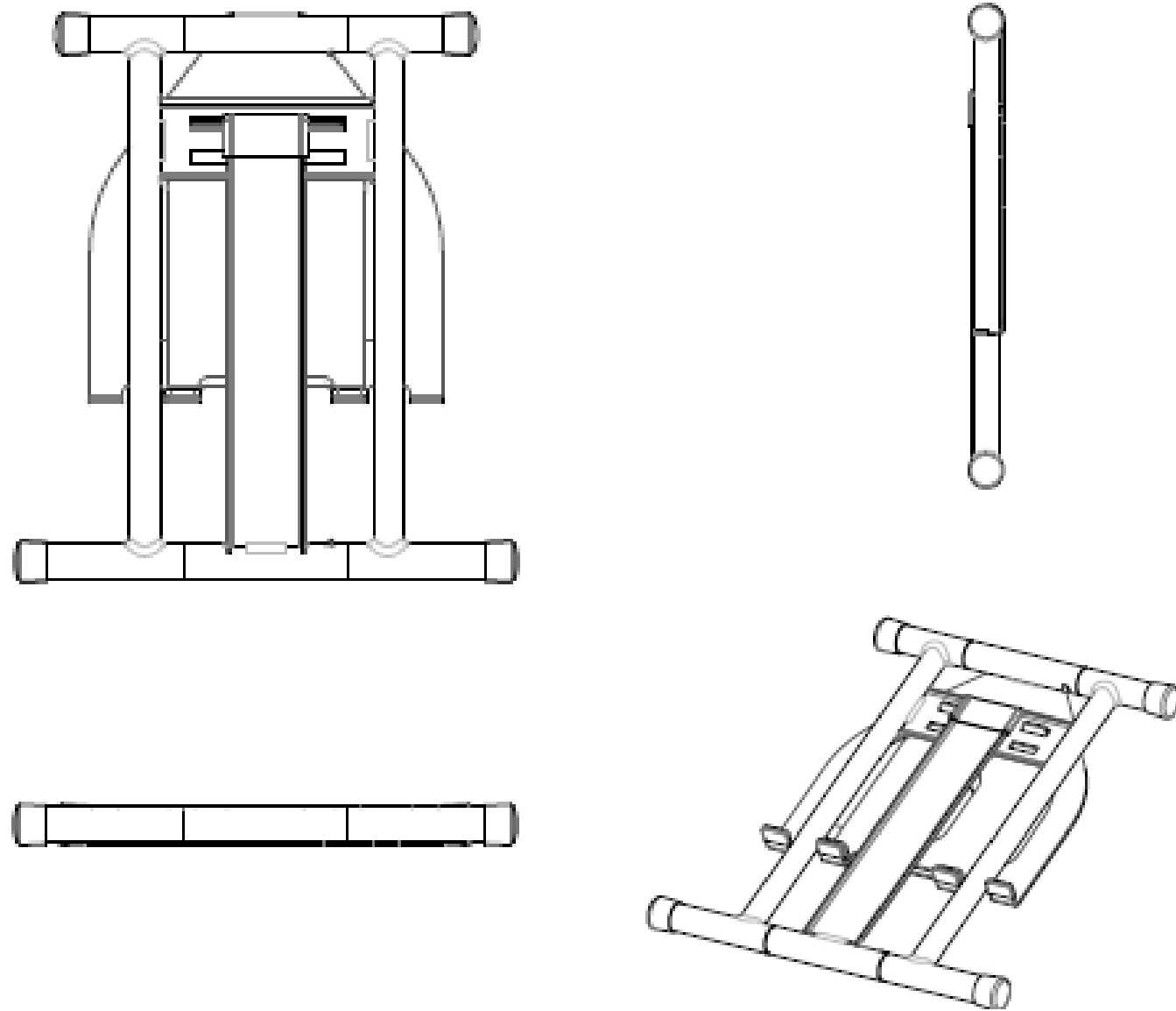
General Upright

The General Upright Position is the standard position that we designed for most laptops and other equipment.



2.2.3.1 Closed

This is the position suitable for storage and travel.



2.2.4 Features

The Crane Standard is a simple heavy-duty laptop stand due to its unique design and stability.

PRODUCT FEATURES:

- Carry Bag
- SubTray
- 1 Year Warranty
- Optional Accessories Available

PRODUCT BENEFITS:

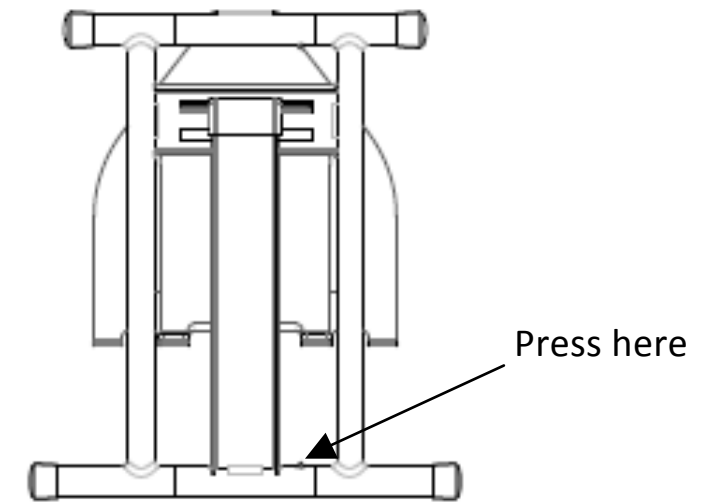
- Versatile
- No Loose Parts
- #1 in Stability
- Highest Level of Quality
- Heavy Duty
- Flat and Easy to Set Up

2.2.5 Proper Usage

This section pertains to the recommended usage of The Crane Standard. This process is quick and easy after your first few uses with The Crane Standard.

When Setting Up

Step 1: Release bottom push-pin and rotate leg into open position until push-pin clicks into locked position.

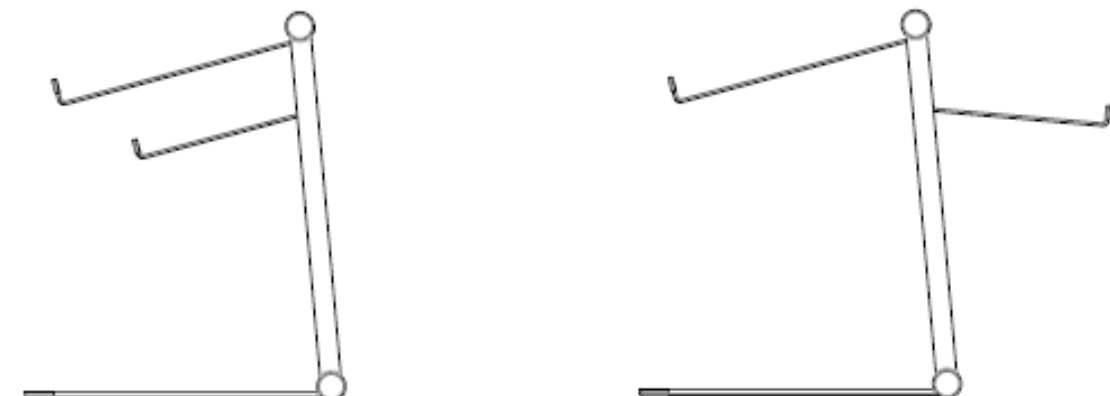


Step 2: Release upper push-pin and rotate tray into open position until push-pin clicks into locked position.

Step 4: Set SubTray in desired position by aligning two tabs, tilting SubTray up, inserting tabs into the open slots on the cross bar.

NOTE: If using SubTray in the forward position (toward the user) you will need to unlock and lift the tray, place the SubTray, then lower and re-lock tray into position.

Example:



When Closing

Step 1: Remove gear from The Crane Standard.

Step 2: Reverse previous steps.

Step 3: Fold The Crane Standard back to the closed position.

2.2.6 Warnings

2.2.6.1 Weight Overload

Do not exceed the Weight Load Limitation of 20lbs or 9 Kg

2.2.6.2 Tipping

We feel that The Crane Standard is the most stable free-standing, mobile stand available. However, there comes a certain level of risk of tipping due to over-loading or precarious placement. Please test your gear before use.

The Crane Standard was designed to be stable in the manufacturers suggested positions shown in the position section.

3. Cleaning

3.1 Cleaning Procedures

Whenever necessary, clean The Crane Standard exterior with a damp rag dry thoroughly with clean, soft cloths. Take care not to get water inside The Crane Standard.

Ordinary deposits of dirt and fluids can usually be removed with soap and water. Avoid prolonged use of chlorides (such as chlorine bleach), bromides, iodides, and thiocyanates. Never allow salty solutions to dry on the stand.

CAUTION: The warranty for this product is void if the care and cleaning instructions provided in this manual are not followed.

4. Limited 1-Year Warranty

COMMITTED TO THE HIGHEST LEVEL OF CUSTOMER SATISFACTION.

Crane Stands are designed and manufactured to the highest standards in quality, style, appearance and performance. This warranty reflects a commitment of excellence and a proof of superior engineering and craftsmanship dedicated to you. The Crane Standard warranty is our pledge to you that we will proudly stand behind our product.

WARRANTY COVERAGE/WARRANTY PERIOD:

General: The Crane Hardware Stands except as noted herein, purchased from an authorized Crane dealer are warranted to the original retail purchase and shall be valid by item as indicated below and is not transferable.

The Crane Standard - WARRANTY:

Crane warrants all material and welds included in the original product for 1 year. This is limited to the craftsmanship of the welds and the integrity of the steel. Normal wear and tear including, but not limited to, wearing of the rubber components, wearing of the push-pin locking mechanism and wearing of the compression surface is not covered by Crane Hardware's standard warranty. Crane will, at its option, either repair or replace any Crane Stands purchased from authorized dealer that proves defective by reason of improper workmanship or materials. Replacement of The Crane Standard is on an exchange basis and will be either new or refurbished for the exact model under warranty.

This warranty does not cover normal wear and tear or any damage to this product that results from improper installation, accident, abuse, misuse, natural disaster, repair or modification. This warranty also does not apply to any product on which the original identification information has been altered, obliterated or removed, has not been handled or packaged correctly, has been sold as second-hand or has been resold contrary to the US export regulations.

As a condition to the obligation of Crane Hardware to repair or replace such product, the product must be returned Crane Hardware together with proof-of-purchase satisfactory to Crane. The warranty applies to the original purchaser and is non transferable. All freight to and from Crane is to be paid by the customer.

GENERAL CONDITIONS OF WARRANTY

This Warranty Does Not Cover: This warranty shall not apply to Crane Standards that have been damaged resulting from misuse, negligence, and/or alterations or additions to the product after acceptance. Crane's warranty does not apply to failures caused by the following: a.) Improper maintenance or repair, including the installation of parts or components that do not conform to the quality and specification of the original. b.) Crane Standards that have been altered modified or have been damaged through misuse, negligence or improper operation. c.) Crane Standards whose trademark; name or identification number has been changed or removed. d.) Crane Standards subjected to abnormal strain, neglect, abuse, modification or exposure to extreme variances in temperature or humidity. e.) Special Finishes - Crane Stands ordered with Black Chrome plated, Gold plated, Satin Chrome plated, Black Nickel plated, and lacquered finishes are highly sensitive to cosmetic damage that can occur during normal handling and use. Therefore, no warranty of any kind,

including any implied warranty of merchantability or fitness for a particular purpose, is provided against cosmetic defects or appearance damage to these finishes. Oxidization of any alloy on The Crane Standard is not covered under this warranty.

The obligation created by this warranty is limited to repair or replacement of the defective item at Crane's sole discretion.

Owner's Responsibility: It is important that the owner/user be familiar with the proper maintenance and use of their Crane Stand. Keep this warranty and proof of purchase in a safe place. Be prepared to provide purchase information to avoid undue difficulties in determining eligibility for warranty protection. If any service is not performed by Crane, it will terminate this warranty.

To Obtain Warranty Service: Warranty service may be obtained by first notifying Crane Hardware. Upon notification, Crane Hardware will provide a Return Authorization from the Crane Customer Service Department. This number must be written plainly on the outside of the package or the returned shipping carton will be refused. Returned merchandise must be accompanied by a copy of the original sales receipt. All freight and insurance must be prepaid by the original owner. Merchandise found to be not covered by warranty will be returned freight collect.

Warranty Limitations: This Limited Warranty is exclusive and made in lieu of all other warranties, and all implied warranties, including without limitation any warranties of merchantability or of fitness for a particular purpose which are hereby expressly disclaimed. In no event will responsibility be accepted for incidental or consequential damages of any nature whatsoever. Some states do not allow limitation on how long an implied warranty may last. Therefore, the above limitations or exclusions may not apply to you.

This warranty gives you specific legal rights and you may also have other rights which vary from state to state.

Note: This WARRANTY applies to the United States only and may vary in other countries.



All rights reserved. ©2011 Crane.
www.thecranestand.com