

9.3 CHASSIS, FADER, HP SECTION

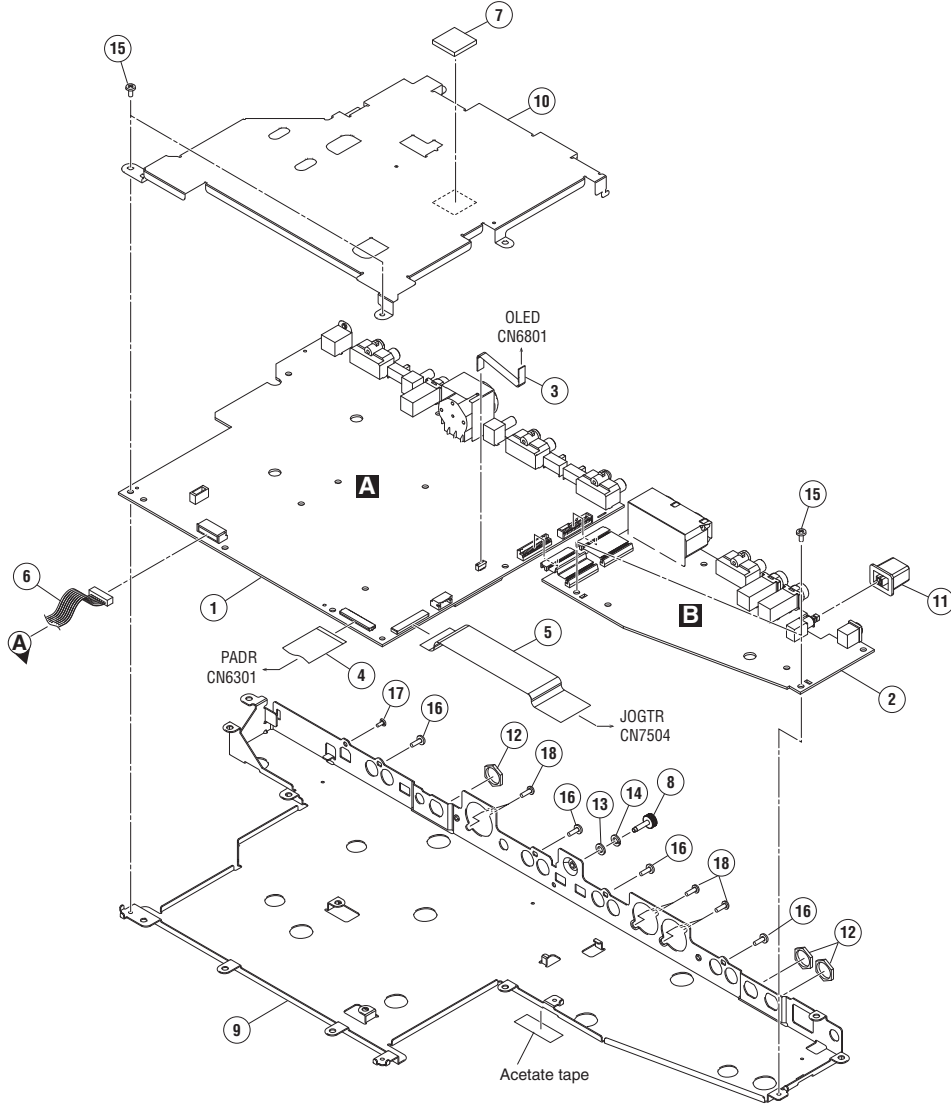
1

2

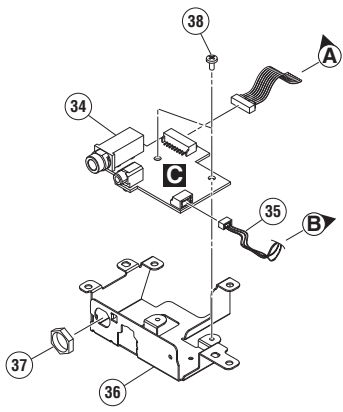
3

4

A ● Chassis Section

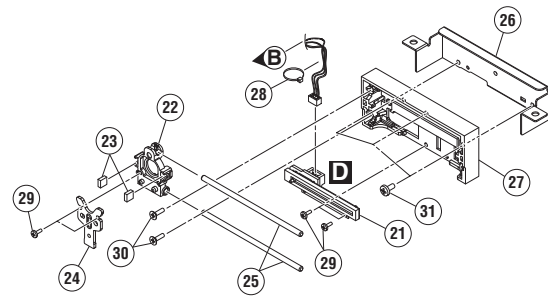


● HP Section



● Fader Section

Refer to "7. DISASSEMBLY"



1

2

3

4

CHASSIS, FADER, HP SECTION PARTS LIST

<u>Mark No.</u>	<u>Description</u>	<u>Part No.</u>
CHASSIS SECTION		
1	MAIN Assy	DWX4194
2	AOUT Assy	DWX4200
3	FFC	DDD1892
4	FFC	DDD1893
5	FFC	DDD1895
6	Connector Assy	PF07PP-C05
7	Cushion	DEC3830
8	Earth Terminal	DKE1015
9	Stay	DNH3388
10	Shield Plate	DNH3398
11	Power Knob	DAC2306
12	Nut (M12)	NKX2FNI
13	Washer	WA32F100Q050
14	Spring Lock Washer	WS40FNI
15	Screw	BBZ30P060FTC
16	Screw	BPZ30P080FTB
17	Screw (M3*5)	DBA1340
18	Screw	PPZ30P080FTB
19	
20	
FADER SECTION		
21	CRFD Assy	DWX4206
22	Slider	DNK6426
NSP 23	Cushion	DEC3356
24	Lever	DNH3211
25	Guide Bar	VLL1514
26	Stay	DNF2053
27	Holder	DNK6425
28	Cable Tie	ZCA-SKB90BK
29	Screw	BPZ20P050FTC
30	Screw	CPZ26P080FTC
31	Screw	BBZ30P060FTC
32	
33	
HP SECTION		
34	HPJK Assy	DWX4203
35	Connector Assy	PF03PP-B07
36	Stay	DNH3389
37	Nut M12	DBN1018
38	Screw	BBZ30P060FTC

A

B

C

D

E

F