

NUXX

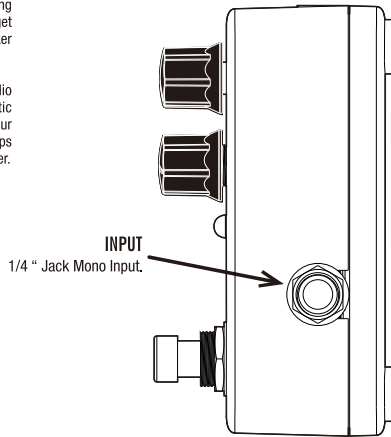
MINI PEDAL

Don't be fooled by it's size, NUX Mini Studio brings 8 speaker cabinets into pocket size now. Each impulse file captured from it's own original source, processed with the state-in-art audio technology. At the end of the signal chain, Mini Studio amazingly produces a musical sound and tastefully enhances the audio signal. It has 8 well-known speaker model presets and each preset is also a memory spot that you can load your favorite IR files. It delivers the signal from input to output with ultra low latency, in 24 bit 44.1KHz audio quality. Mini Studio's sampling length is 1024 points, which means you will get a high resolution audio with a powerfull speaker sound.

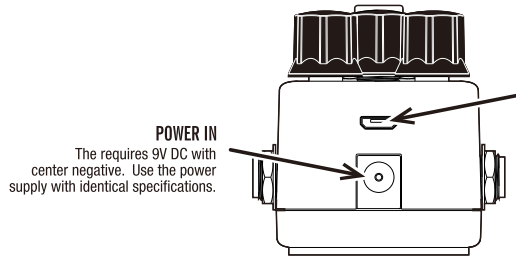
From your pedalboard to a mixer or audio interface, you will experience very realistic speaker cabinet sound. Even you can turn your personal monitor (full range flat response amps recommended) into any of your favorite amplifier.

Features

- 24 bit 44.1 KHz audio quality.
- 1024 points 23 ms sampling.
- Less than 2 ms latency.
- 8 Built-in IR presets. You can load your own IR file and overwrite any of the presets.
- Free Mini Studio Software.



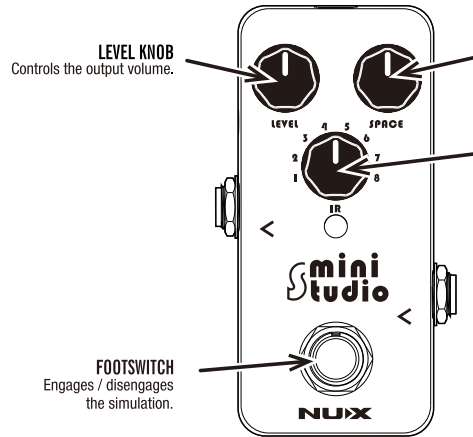
INPUT
1/4" Jack Mono Input.



POWER IN
The requires 9V DC with center negative. Use the power supply with identical specifications.

MICRO USB PORT

You can connect the HD PITCH to PC via "micro USB" cable for update the tuning visuals.



LEVEL KNOB
Controls the output volume.

SPACE KNOB

Adjusts the room size Adds more environmental touch on selected (or loaded) IR file.

IR (Impulse Response)

Switch between the speaker cabinet simulations. It has 8 built-in IR files

- 1.JZ120 Roland Jazz 120
- 2.DR112 Fender Deluxe Reverb
- 3.BS410 Fender Bassman 410
- 4.A212 VOX AC30 212
- 5.TR212 Fender Twin Reverb 212
- 6.1960 Marshall 1960A 412
- 7.GB412 Celestion Greenback 412
- 8.V412 Celestion Vintage30 412

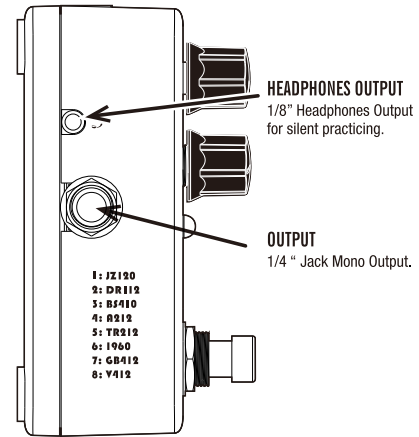
**All product and brand names seen on this manual are trademarks of their respective owners, which are not affiliated with NUX effects & amplifiers .*

FOOTSWITCH
Engages / disengages the simulation.

Specifications

Power: External AC adaptor delivering 9V DC regulated (⊕-⊖)
Weight: 174g
Dimensions: 94(L)x51(W)x53(H)mm

*Specification may change without notice.



HEADPHONES OUTPUT
1/8" Headphones Output for silent practicing.

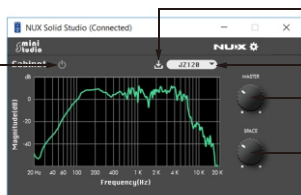
OUTPUT
1/4" Jack Mono Output.

- 1: JZ120
- 2: DR112
- 3: BS410
- 4: A212
- 5: TR212
- 6: 1960
- 7: GB412
- 8: V412

Mini Studio Software

You can load your favorite IR file and save any of the selected preset. And delete / replace it when you want. It available on nuxefx.com and free to download!
Just connect your Mini Studio pedal to your computer by Micro B USB cable and double click to run the software.

ON/OFF button
You can engage / disengage the simulation without touching the pedal.



I.R. load button

Click the button and select your file, it will be loaded in a second.

Preset/file name.

Master
Controls the output volume.

Space
Adjusts the room size Adds more environmental touch on selected (or loaded) IR file.

When you load your own IR file. Reset button will be appeared on selected preset. It deletes your IR file and it brings back the original one.



CE mark for European Harmonized Standards

CE Mark which is attached to our company's products of Battery mains the product is in fully conformity with the harmonized standard(s) EN 61000-6-3:2007+ A1:2011 & EN 61000-6-1:2007 Under the Council Directive 2004/108/ EC on Electromagnetic Compatibility.

© 2019 Cherub Technology-All rights reserved. No part of this publication may be reproduced in any form without prior written permission of Cherub Technology.

mini studio MODEL: NSS-3
Mini Studio Speaker Cabinet Simulator and IR (Impulse Response) Loader



Made in China
www.nuxefx.com