



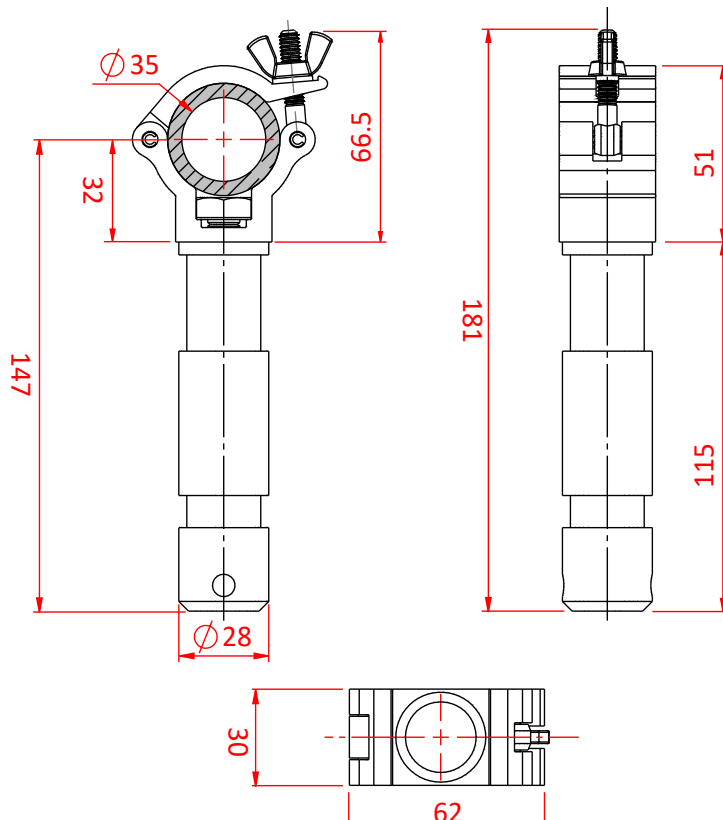
35mm Atom Big Ben Clamp



Product Data Sheet



An aluminium clamp with a Ø28mm TV spigot	
Part Nos	T58926 - Polished T5892601 - Powder Painted Satin Black
Tube Diameter	Ø35mm
Materials	Main Body - AW6082 T6 Aluminium Roll Pins - Stainless Steel Eyebolt Assy - Grade 8.8 TV Spigot - AW6082 T6 Aluminium
Max Tightening Torque	Hand tighten only
WLL	100Kg Vertical Load
Weight	0.60Kg
Factor of Safety	5:1
Approval	TÜV Approved



Dimensions in mm