



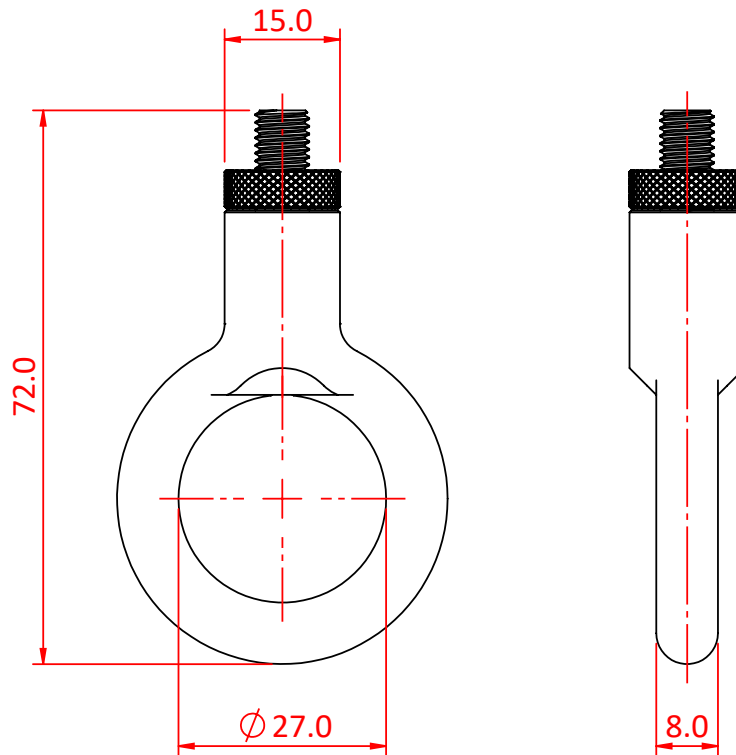
30SV with Ring

Product Data Sheet



A Type 30 Cable Holder with Eye	
Part Nos	T37633
Holder Diameter	Ø15mm
Wire Diameter	Ø2mm & Ø3mm
Mechanism Type	3 Ball
Ring Diameter	Ø27mm - Internal Ø43mm - External
WLL	Ø2mm - 40Kg - Galvanised Steel Cable Ø2mm - 30Kg - Stainless Steel Cable Ø3mm - 85Kg - Galvanised Steel Cable Ø3mm - 65Kg - Stainless Steel Cable

Dimensions in mm



DIMENSIONS ARE A GUIDE ONLY AND MAY VARY