

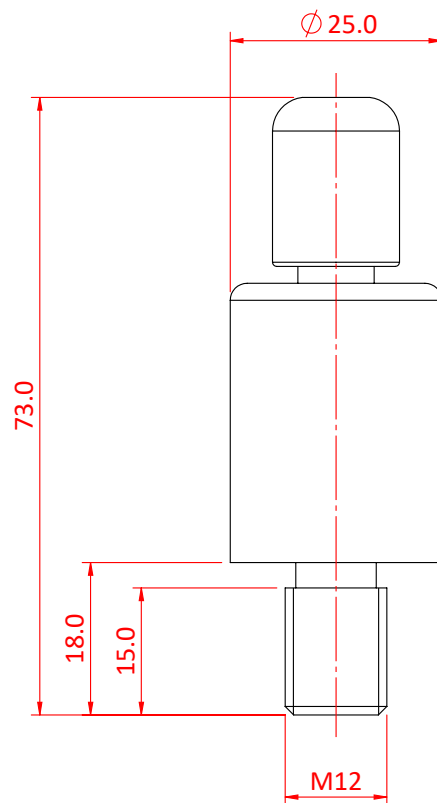


# 50SV III Cable Holder with Male Thread

Product Data Sheet

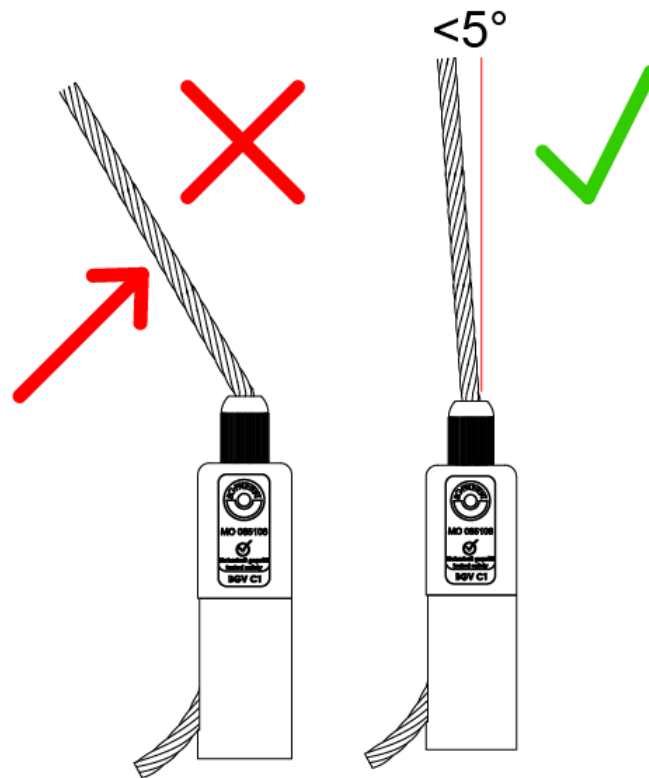


A Type 50 Cable Holder with a M12 Male Thread	
Part Nos	T37650
Holder Diameter	Ø25mm
Thread	M12
Thread Length	18mm
Mechanism Type	3 Ball
Wire Diameter	Ø4mm & Ø5mm
WLL	Ø4mm Wire - 60Kg Ø5mm Wire - 90Kg
Weight	0.12Kg

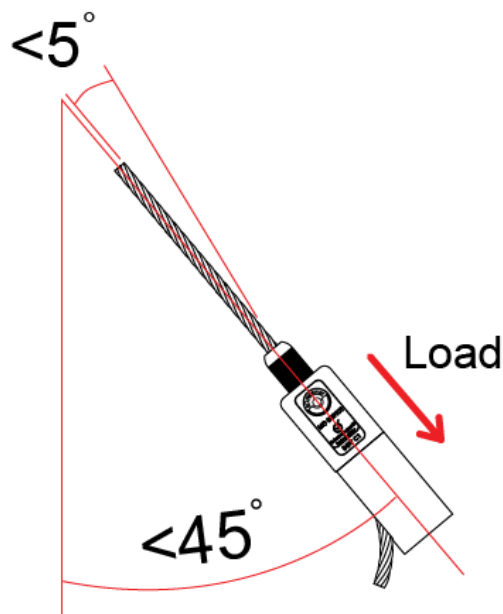


Dimensions in mm

DIMENSIONS ARE A GUIDE ONLY AND MAY VARY



The wire rope must exit in line with the Cable Holder.  
The maximum angle allowed is 5 degrees.



Reutlinger Cable Holders can be used  
up to an angle of 45 degrees.

The wire rope must not exceed 5 degrees  
when exiting the cable holder.