



Swivel Arm - Barrel Mounted

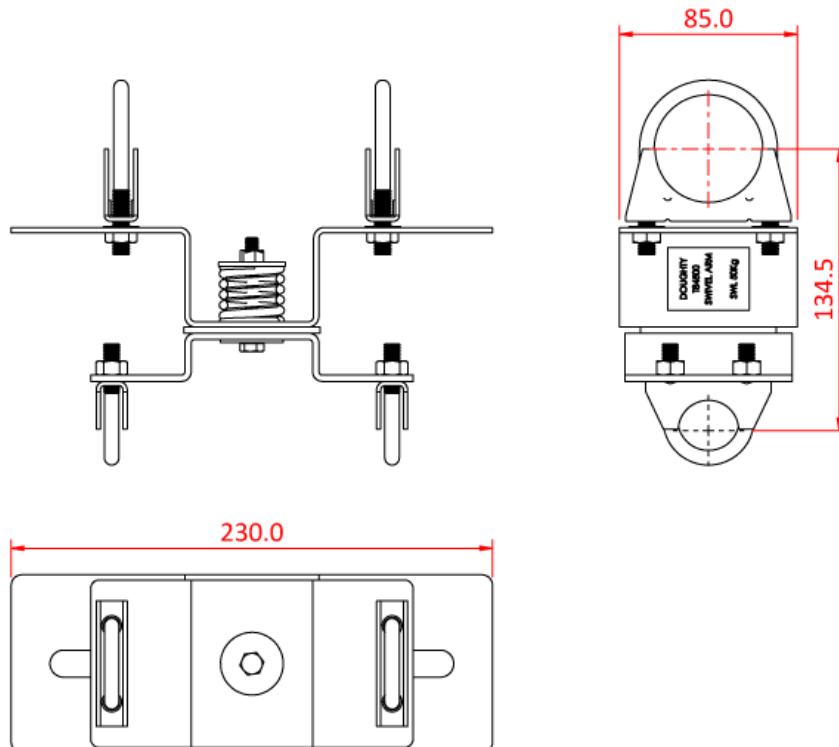
Product Data Sheet



Swivel Arm - Barrel Mounted	
Part Nos	T84505 T84506 - Supplied with 25mm x 2.0m Tube
Fitted with	T63749 Ø25mm "U" Bolts x 2 T56900 Ø48-51mm "U" Bolts with saddle x 2
Material	Mild Steel - Plates & "U" Bolts Stainless 303 - Overload washer Grade 8.8 - Fixings Portmere Rubber - Nebar Pad Grade ND3 Steel Wire - Spring
Finish	Powder painted black
Weight	T84505 - 0.81Kg T84506 - 2.7Kg
WLL	50Kg

T84505

Dimensions in mm



T84506

