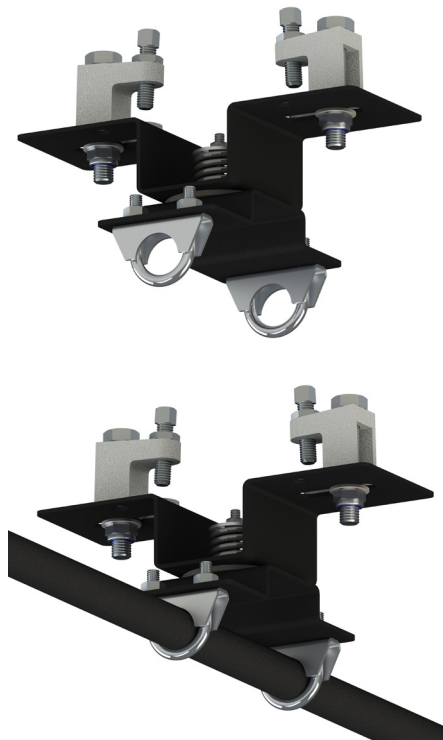




Swivel Arm - Girder Mounted

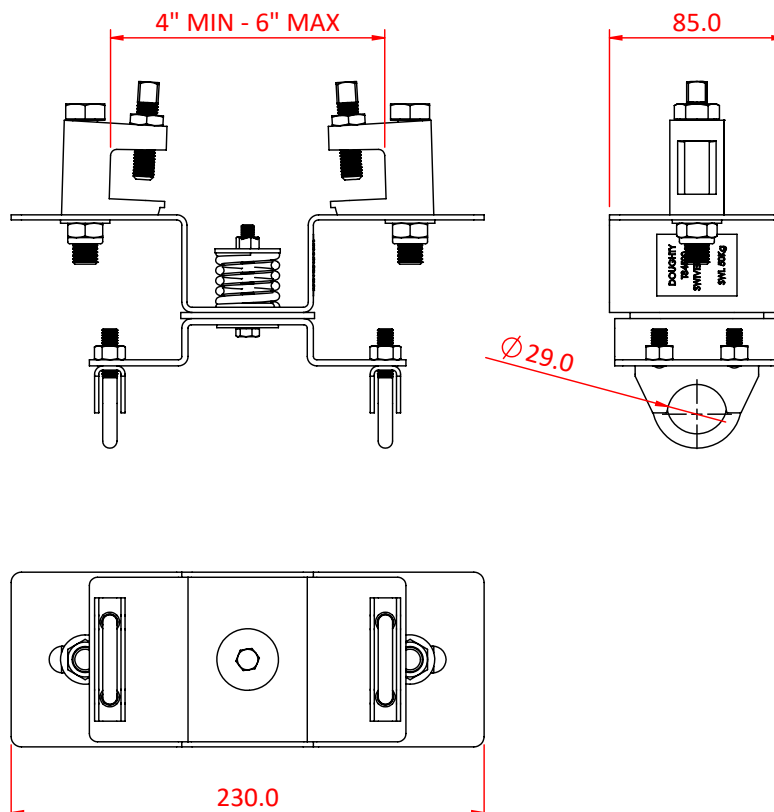
Product Data Sheet



A Girder Mounted Swivel Arm	
Part Nos	T84510 T84511 - Supplied with 25mm x 2.0m Tube
Fits Girders	100 - 150mm
Fitted with	T63749 "U" Bolts x 2 T29700 Flange Clamp x2
Material	Mild Steel - Plates & "U" Bolts Stainless 303 - Overload washer Grade 8.8 - Fixings Portmere Rubber - Nebar Pad Grade ND3 Steel Wire - Spring Malleable Iron - Flange Clamps
Finish	Powder painted black
Tube Diameter	Ø25mm
WLL	50Kg

Dimensions in mm

T84510



T84511

