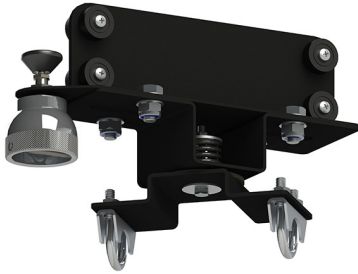




# Swivel Arm - Sixtrack Mounted with Brake

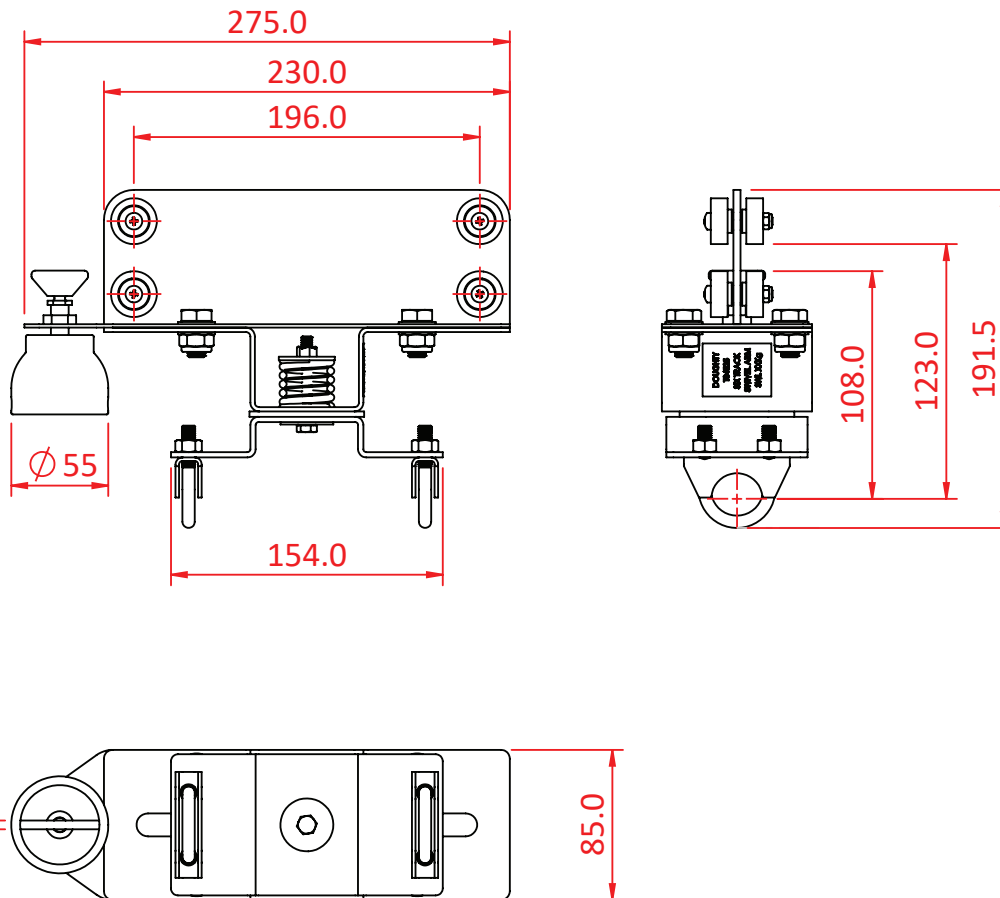
Product Data Sheet



SixTrack Swivel Arm with a brake	
<b>Part Nos</b>	T84525 T84526 - Supplied with 25mm x 2.0m Tube
<b>Materials</b>	Stainless Steel Grade 8.8 Fasteners
<b>Finish</b>	Powder Painted
<b>WLL</b>	Not rated

Dimensions in mm

T84525



T84526

