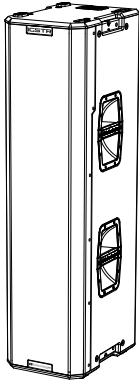
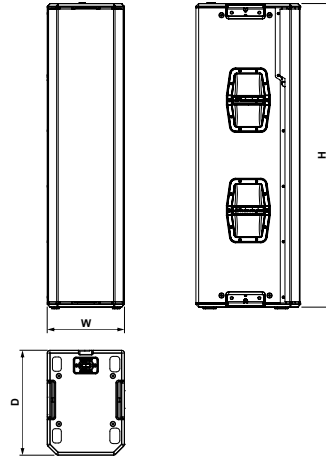


IG5TR



DIMENSIONS



MAIN FEATURES

- Impressive sound pressure
- New powerful amplifier
- Digital steering
- AURORA Net remote control
- Stack and flyblabe use (with dedicated accessories)

PACKAGE CONTENTS

The box contains:

- n.1 IG5TR loudspeaker
- n.1 mains cable
- n.1 rain cover
- This quick start and warranty documentation

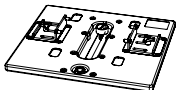
DESCRIPTION

INGENIA IG5TR is a powerful 2-way active vertical speaker, equipped with one compression driver (3" v.c., 1.4" exit) and three 10" woofer, in an innovative shape. The wave guide of the driver is vertically asymmetrical, for a precise acoustical coverage in different kind of installations, indoor and outdoor. The new powerful amplifier section, capable of handling up to 1600 W (RMS power), is controlled by a DSP, which can perform a detailed customization of the output sound of the speaker. In particular, the DSP can recognize if 2 INGENIA IG5TRs are installed together, stacked or flown, through the special IR communication ports, and can perform a digital steering, making them sound as one single source with a selectable inclination.

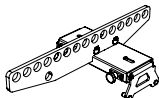
SPECIFICATIONS

Speaker Type	2-way active speaker
Directivity (HxV)	90° x 75° (+20°/-55°)
LF	3x 10" (v.c. 2.5")
HF	1x 3" v.c. (1.4" exit)
Rotatable horn	Yes (+90° / -90°)
Amplifier	1600 W RMS Class-D (4x400 W)
Power Supply	Full-range SMPS
Operating Range	100-240V~ (50-60Hz)
User Interface	OLED display + rotative knob w/switch
Signal Input	1 x XLR balanced, 1 x RJ45 (RDNet), 1x USB (Data Service)
Signal Output	1x XLR balanced Link, 1 x RJ45 Link (RDNet)
Housing	Plywood box - black polyurea coating
Mechanical fixing points	4x
Dimensions (WxHxD)	280x1100x380 mm (11.02x43.31x14.96 in)
Weight	35 Kg (77.16 lbs.)

ACCESSORIES



GSA-IG5TR
mouting adapter



DRK-IG5TR
flybar

The warnings in this manual must be observed together with the "User Manual - Section 2".

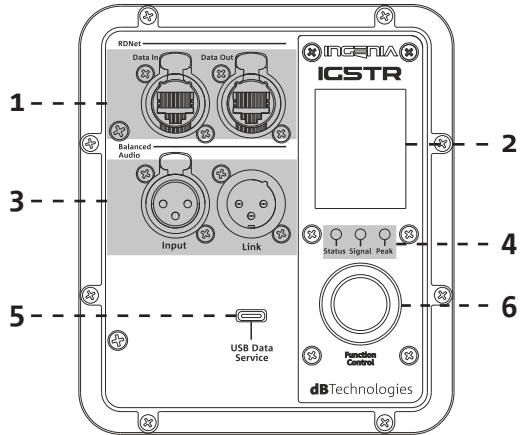
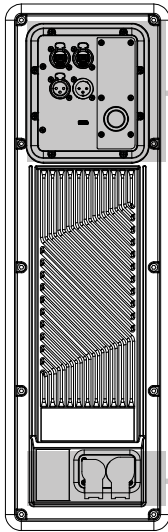
I/O AND CONTROL PANEL

The amplifier of IG5TR is controlled by a powerful DSP. All the connections and controls are in the rear amplifier control panel.

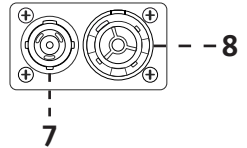
- 1- RDNet Data In / Data Out
- 2- OLED display
- 3- Balanced audio input and output link
- 4- Status LEDs (Signal, Status, Peak)
- 5- C-type USB port for firmware update
- 6- Push rotary encoder
- 7- Full-range Mains input
- 8- Mains Link output

PREAMP

POWER SUPPLY



dB TECHNOLOGIES S.R.L. Via S. Felice, 10 00100 Roma, Italia Tel. +39 06 49010000 Fax +39 06 49010001 Email: info@dbtechnologies-aeb.com	CAUTION ATTENTION TENERE LA MANO SOTTO IL COPERCHIO PER EVITARE IL RISCALDAMENTO.	WARNING HOT SURFACE
	FULL RANGE MAINS INPUT 100-240V* 50-60Hz 230-240V* 50-60Hz 2.3A 100-230V* 50-60Hz 4.5A	MAINS LINK 230-240V* (13.7Amax) 230V*10Hz 100-230V* (15.4Amax) 100V*10Hz



WARNING!

Ensure the speaker has been powered off for at least 10 minutes before connecting the USB cable for the firmware update.

POWER SUPPLY SPECIFICATIONS (POWER ABSORPTION)

- Draw at 1/8 of full power in average use conditions (*): 1 A (230Vac) - 1.9 A (115Vac)
- Draw at 1/3 of full power in heavy use conditions (**): 2.2 A (230Vac) - 4.4 A (115Vac)
- Power absorption with speaker turned on without signal (idle): 0.22 A (230Vac) - 0.47 A (115Vac)

*INSTALLER NOTES: The values refer to 1/8 of full power, in average operating conditions (music program with infrequent or no clipping). It is recommended to consider them the minimum sizing values, for any type of configuration.

**INSTALLER NOTES: The values refer to 1/3 of full power, in heavy operating conditions (music program with frequent clipping or activation of the limiter. We recommend sizing according to these values in case of professional installations and tours.

MECHANICS

HANDLES

On each side of the loudspeaker the user can find two handles for easy handling (**A**).

MECHANICAL FIXING POINT

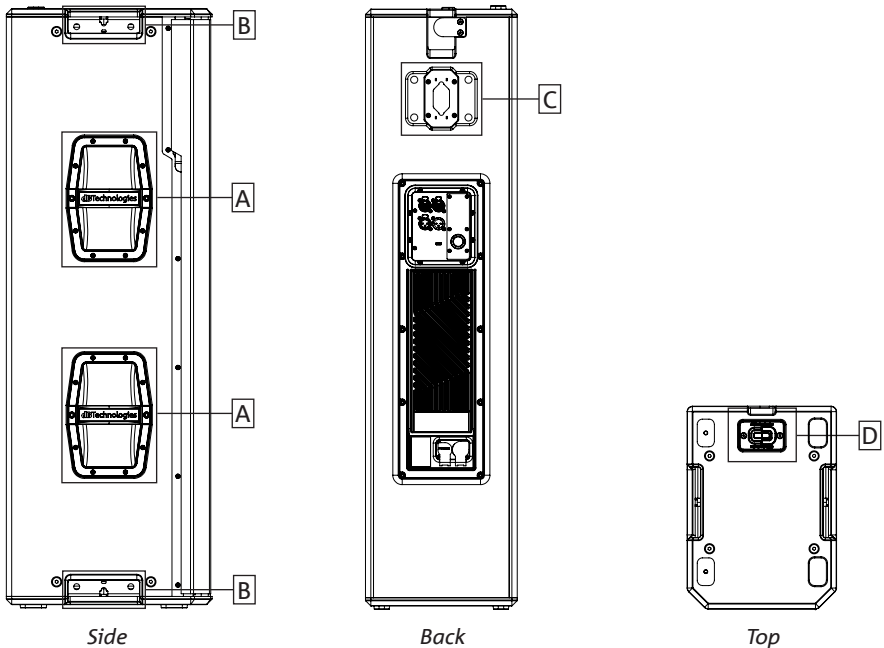
On each side there are two mechanical fixing point (**B**) for stacked and flown configurations (see the following dedicated chapter) using dedicated accessories.

LP-1 BRACKET

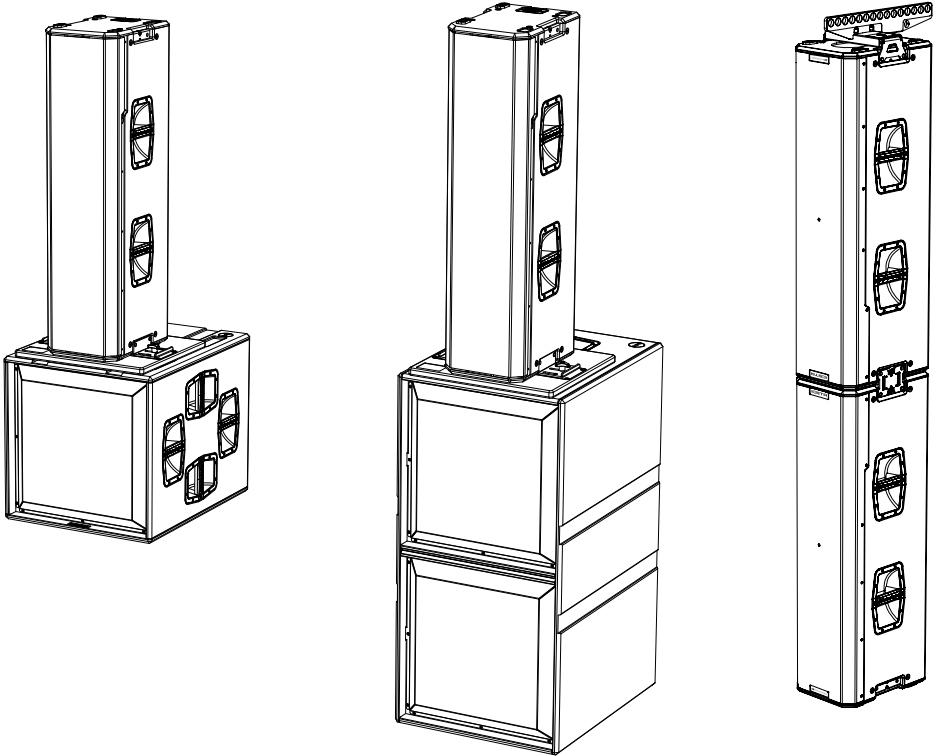
Also included is one LP-1 bracket (**C**), already mounted in the dedicated housing in the back of the loudspeaker. This accessory allows to stack up to $n^{\circ}2$ IG5TR loudspeakers.

IR PORT

On the top of the loudspeaker takes place an IR port (**D**) for speaker communication in case of 2 speakers configuration.



CONFIGURATIONS



1. Stacked configuration IG5TR, GSA-IG5TR mounting adapter, IGS1 subwoofer
2. Stacked configuration IG5TR, GSA-IG5TR mounting adapter, IGS2 subwoofer
3. Flown configuration DRK-IG5TR, 2x IG5TR, 2x LP-1

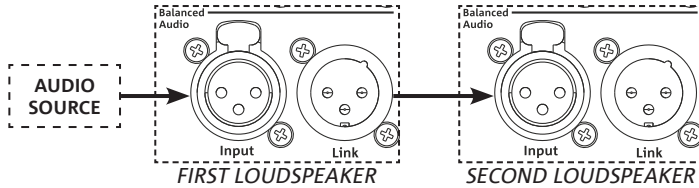
For multiple-speaker configuration (stacked or flown):

- the upper speaker must be mounted upside down to maintain the correct sound coverage
- once the DSP has recognized 2 IG5TRs thanks to the infrared handles, it acts as a custom delay line on the transducers, in order to direct the final acoustical coverage of the speakers (Steering). This parameter can be set-up from the speaker display

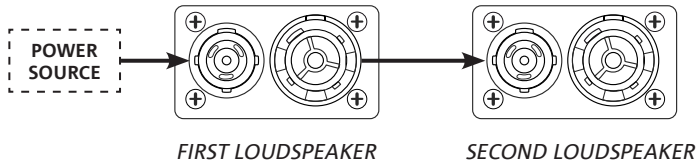
For more information about the allowed configurations, please refer to the accessories user manual.

TURN ON AND I/O SETTINGS

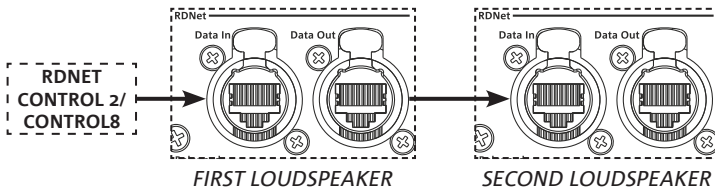
Connect first the audio source to the input socket (6); to link the audio signal to another loudspeaker, please use a cable with XLR connectors (not supplied). Connect the Output Link (5) of the first, to the balanced Input of the second one, and so on.



Plug properly the mains POWERCON TRUE1 cable (supplied) in the related input (8) to turn on the system. To supply power to another speaker connect the Mains Link output (9) of the first speaker to the Mains Input of the second one and so on. To find out how many modules can be connected in a linked system, refer to the “TECHNICAL SPECIFICATIONS” or “CONNECTIONS” sections in the INGENIA IG5TR user manual.

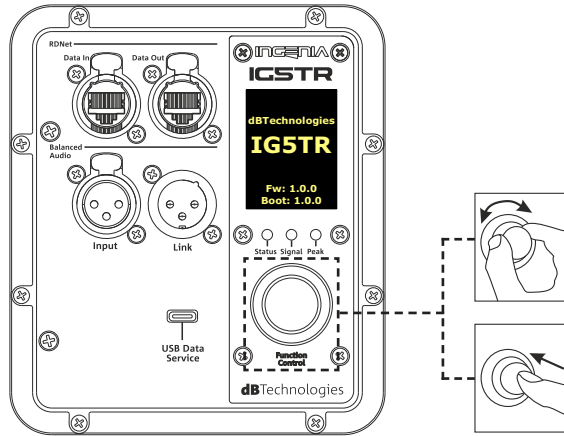


In case of remote control, connect the Data Input of the loudspeaker to the hardware remote controller (RDNet Control 2 or RDNet Control 8) with cables equipped with etherCON connectors. Connect the Data Output of the first loudspeaker, to the Data Input of the second one, and so on. Please refer to RDNet Control 2 or RDNet Control 8 user manuals for further information.



SETUP

The internal DSP provides an easy installation and allows to configure quickly the IG5TR. The settings saved on the loudspeaker are stored for future use even after the loudspeaker is turned off. All the system parameters shown on the display can be edited by rotating and pressing the encoder.



In the Preset page, the user can save and load up to 3 custom presets, load the factory preset or a preset from AURORA Net.



The DSP page allows to set the acoustical data of the loudspeaker (including Gain, Delay, High Pass Filter), set the steering and the beam value.



In the Settings page, the user can set the detection mode, activate the display standby mode, adjust the brightness of the display and set the ambient temperature.



The Info page shows the Amp temperature (Status), the loudspeaker Model, the firmware and the bootloader version actually installed on the loudspeaker.



The Reset page allow to delete all the user presets and to restore the factory default.

IMPORTANT NOTES AND WARNINGS

EMI CLASSIFICATION

According to the standards EN 55032 and 55035 this is a class B equipment, designed and suitable to operate in residential environments.

FCC CLASS B STATEMENT ACCORDING TO TITLE 47, PART 15, SUBPART B, §15.105

This equipment has been tested and found to comply with the limits for a Class B digital device, pursuant to part 15 of the FCC Rules.

These limits are designed to provide reasonable protection against harmful interference in a residential installation.

This equipment generates, uses and can radiate radio frequency energy and, if not installed and used in accordance with the instructions, may cause harmful interference to radio communications.

However, there is no guarantee that interference will not occur in a particular installation. If this equipment does cause harmful interference to radio or television reception, which can be determined by turning the equipment off and on, the user is encouraged to try to correct the interference by one or more of the following measures:

1. Reorient or relocate the receiving antenna.
2. Increase the separation between the equipment and receiver.
3. Connect the equipment into an outlet on a circuit different from that to which the receiver is connected.
4. Consult the dealer or an experienced radio/TV technician for help.

Changes or modifications not expressly approved by the party responsible for compliance could void the user's authority to operate the equipment.

WARNING: Make sure that the loudspeaker is securely installed in a stable position to avoid any injuries or damages to persons or properties.

For safety reasons do not place one loudspeaker on top of another without proper fastening systems. Before hanging the loudspeaker check all the components for damages, deformations, missing or damaged parts that may compromise safety during installation. If you use the loudspeakers outdoor avoid spots exposed to bad weather conditions.

Contact AEB Industriale s.r.l. for accessories to be used with speakers. AEB Industriale s.r.l. will not accept any responsibility for damages caused by inappropriate accessories or additional devices.

Features, specification and appearance of products are subject to change without notice.

dBTechnologies reserves the right to make changes or improvements in design or manufacturing without assuming any obligation to change or improve products previously manufactured.

IMPORTANT SAFETY INSTRUCTIONS

1. Read these instructions
2. Keep these instructions.
3. Heed all warnings.
4. Follow all instructions.
5. Do not use this apparatus near water.
6. Clean only with dry cloth.
7. Do not block any ventilation openings. Install in accordance with the manufacturer's instructions.
8. Do not install near any heat sources such as radiators, heat registers, stoves, or other apparatus (including amplifiers) that produce heat.
9. Do not defeat the safety purpose of the polarized or grounding-type plug. A polarized plug has two blades with one wider than the other. A grounding type plug has two blades and a third grounding prong. The wide blade or the third prong are provided for your safety. If the provided plug does not fit into your outlet, consult an electrician for replacement of the obsolete outlet.
10. Protect the power cord from being walked on or pinched particularly at plugs, convenience receptacles, and the point where they exit from the apparatus.
11. Only use attachments/accessories specified by the manufacturer.
12. Use only with the cart, stand tripod, bracket, or table specified by the manufacturer, or sold with the apparatus. When a cart is used, use caution, when moving the cart/apparatus combination to avoid injury from tip-over.
13. Unplug this apparatus during lightning storms or when unused for long periods of time.
14. Refer all servicing to qualified service personnel. Servicing is required when the apparatus has been damaged in any way, such as power-supply cord or plug is damaged, liquid has been spilled or objects have fallen into the apparatus the apparatus has been exposed to rain or moisture, does not operate normally, or has been dropped.



ADDITIONAL SAFETY INSTRUCTIONS

- No naked flame sources, such as lighted candles, should be placed on the apparatus
- Do not use the apparatus in tropical climates

**WARNINGS!**

Only expert personnel may use the product and its accessories! To prevent hazards to people, animals and/or objects, make sure that the installation is stable and secure. Comply with the safety regulations and laws in force in the country in which you use the product. For safe use, periodically check that all parts are in good working condition before use. Only authorised personnel may carry out design, calculations, installation, testing and maintenance of professional flown or stacked audio systems. AEB Industriale shall not be liable for improper installation carried out without adequate safety measures.

Never suspend the speakers from the handles! Only use the accessories and configurations described in this manual, and proceed in accordance with the instructions given in the manuals for the accessories.

Do not obstruct the amplifier cooling fins at the back. In the event of overheating, the audio volume is gradually reduced until the module is thermally stable. The level is automatically restored on reaching the correct operating temperature.

Do not attempt to open the amplifier.

In the event of malfunction, immediately turn off the power, disconnect the unit from the mains and contact an authorised service centre.

Only use the power cable provided.

The USB SERVICE DATA connection is to be used exclusively for updating the product's firmware; do not connect any other USB device to the unit to avoid the risk of damage and malfunction.

Do not use the loudspeaker for a prolonged period with the limiter LED steadily lit or flashing as this indicates operation under stress with excessive distortion.

The loudspeaker shall be powered down after use. Damage to the system can be caused by leaving the system powered on for extended periods of time while not passing audio. Any damage to the system caused by the system being powered on for extended periods of time while not in use will not be covered by warranty.

Check periodically the integrity and the functionality of the accessories and the technical equipments for a safe installation. user should never apply a load that exceeds the working load limits of any rigging components or equipment here presented. design, calculation, installation, testing and maintenance of suspension and stack systems for audio equipment must be performed only by qualified and authorized personnel.

AEB Industriale s.r.l. denies any and all responsibility for improper installations, in the absence of safety requirements.



*Scan with your QR Reader
App to download the
complete User Manual.*



A.E.B. Industriale Srl
Via Brodotini, 8
Località Crespellano
40053 VALSAMOGGIA
BOLOGNA (ITALIA)
Tel. +39 051 969870
Fax +39 051 969725

www.dbtechnologies.com

info@dbtechnologies-aeb.com