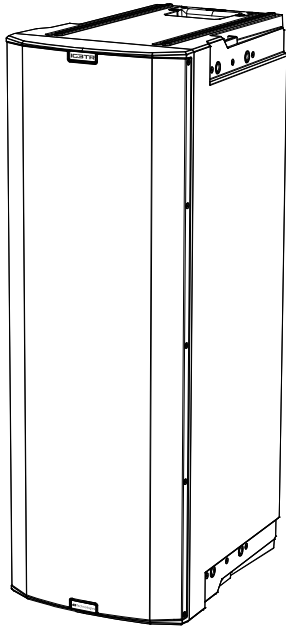
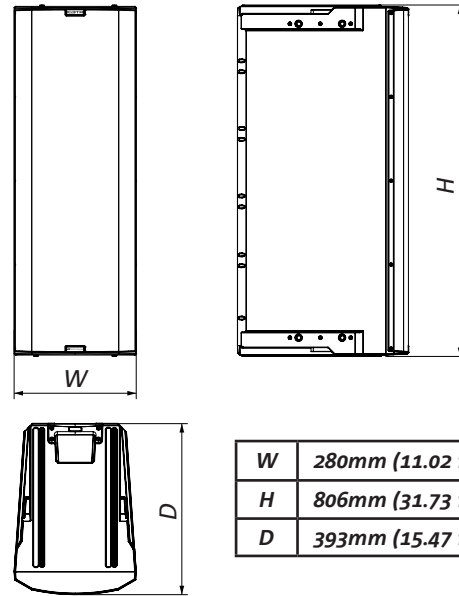


IG3TR



DIMENSIONS



W	280mm (11.02 in)
H	806mm (31.73 in)
D	393mm (15.47 in)

MAIN FEATURES

- Impressive sound pressure
- Multiple configuration options
- Compact size
- Easy handling and transport
- AURORA Net remote control

PACKAGE CONTENTS

The box contains:

N°1 INGENIA IG3TR loudspeaker

N°1 mains cable

N°1 fuse for 100-120Vac power supply

This quick start and warranty documentation

INGENIA IG3TR is a powerful 2-way vertical speaker, equipped with one 1.4" neodymium compression driver with a 3" voice coil and two 10" neodymium woofers, in an innovative shape. The horn is vertically asymmetrical and offer a precise acoustical coverage in different kind of installations. The powerful DIGIPRO® G3 amplifier section, capable of handling up to 900 W (RMS power), is DSP controlled, it can perform a detailed customization of the output sound of the speaker. Through the IR communication handle, the DSP can recognize if 2 INGENIA IG3TRs are installed together, stacked or flown, and can perform a digital steering, making them sound as one single source with a selectable inclination. All the DSP parameters can be viewed and selected in the user-friendly interface, equipped with a self-rotating OLED display, and can be saved and reloaded in different custom settings by the user, who can protect his choices with a password. INGENIA IG3TR includes an RDNet-EH handle, which allows the remote-control via RDNet protocol and Aurora Net software.

The warnings in this manual must be observed together with the "User Manual - Section 2".

TECHNICAL SPECIFICATIONS

Speaker Type	2 Way Active Loudspeaker
Frequency Response [-6dB]	55 - 18900 Hz
Usable Bandwidth [-10dB]	51 - 20000 Hz
Max SPL (1 m)	132 dB
Directivity (HxV)	100° x 90° (+20°/-70°)
HF	1.4" exit, 3" v.c. neo
LF	2x 10", 2.5" v.c. neo
Crossover Frequency	960 Hz 24 dB/oct
Amplifier	Digipro® G3 900 W RMS Class-D
Power Supply	Auto-range
Cooling	Convection
Operating Range	220-240V~ (50-60Hz)/100-120V~ (50-60 Hz)
Limiter	Dual Active, Peak, RMS, Thermal
Processing	FIR Linear Phase Filters
Controller	56 bit DSP
AD/DA Converter	24 bit/48 kHz
Controls	1x Push Rotary Encoder 1x OLED Display 1x Peak LED 1x Input sensitivity switch
Signal Input	1 x XLR/jack combo, 1 x RJ45 Link (RDNet), 1x USB (Data Service)
Signal Output	1x XLR balanced, 1 x RJ45 Link (RDNet)
Housing	Polypropylene
Rigging Points	4
Pole mount	D36mm
Dimensions (WxHxD)	280x806x393 mm (11.02x31.73x15.47 in)
Weight	20.8 Kg (45.86 lbs.)

I/O and Control panel

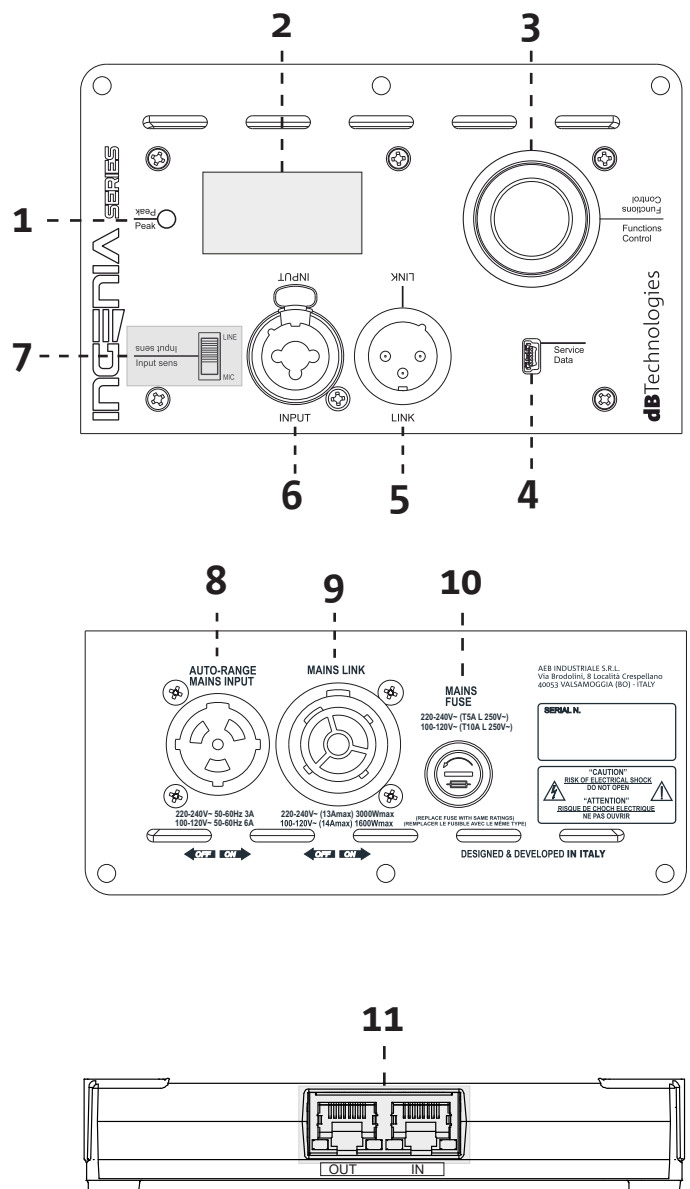
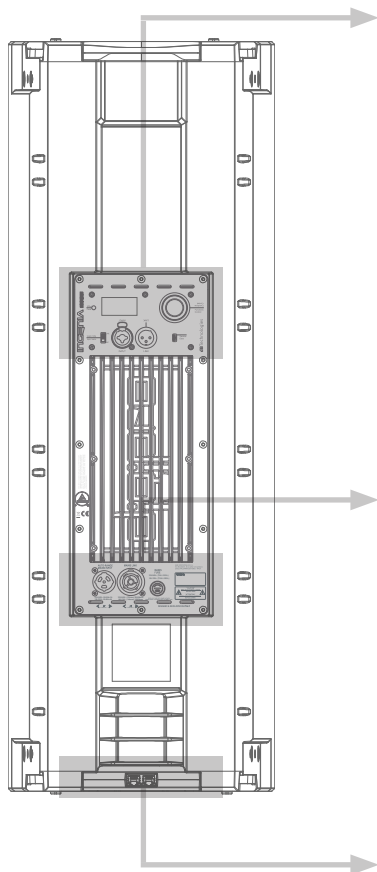
The DigiPro G3 amplifier of INGENIA IG3TR is controlled by a powerful DSP. All the connections and controls are in the rear amplifier control panel.

- 1- Peak LED
- 2- OLED display
- 3- Push rotary encoder (rotate: select, push: confirm)
- 4- USB port for firmware updating
- 5- Link audio output
- 6- Combo line/mic input
- 7- Input sensitivity switch
- 8- Auto-range Mains input
- 9- Mains Link output
- 10- Mains Fuse
- 11- RDNNet Data In / Data Out

PREAMP

POWER SUPPLY

RDNET HANDLE



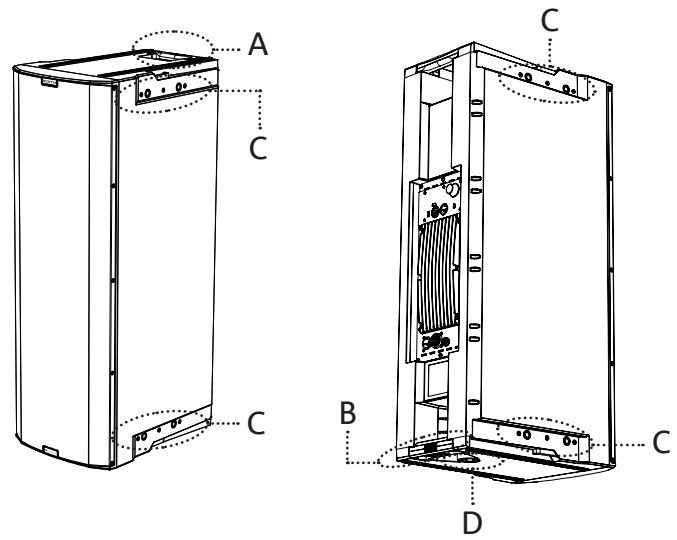
MECHANICS

HANDLES

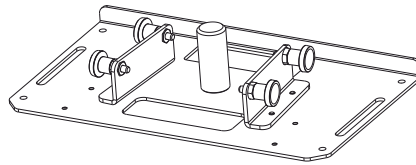
On the rear of the loudspeaker the user can find two handles for easy handling: on the top an IR handle (A) and on the bottom an RDNet-EH handle (B).

FIXING POINTS

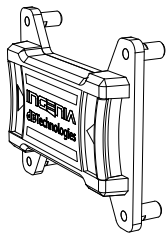
INGENIA IG3TR can be installed in different configurations. For a quick installation, each side of the loudspeaker includes mechanical fixing points for stand and flyable use (C) using the accessories. The loudspeaker is equipped with a pole mount on the bottom (D).



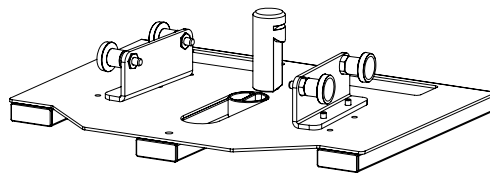
ACCESSORIES



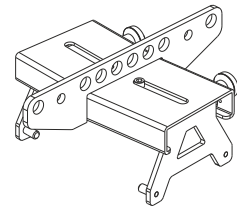
GSA-IG
mouting adapter



LP-IG
link bracket



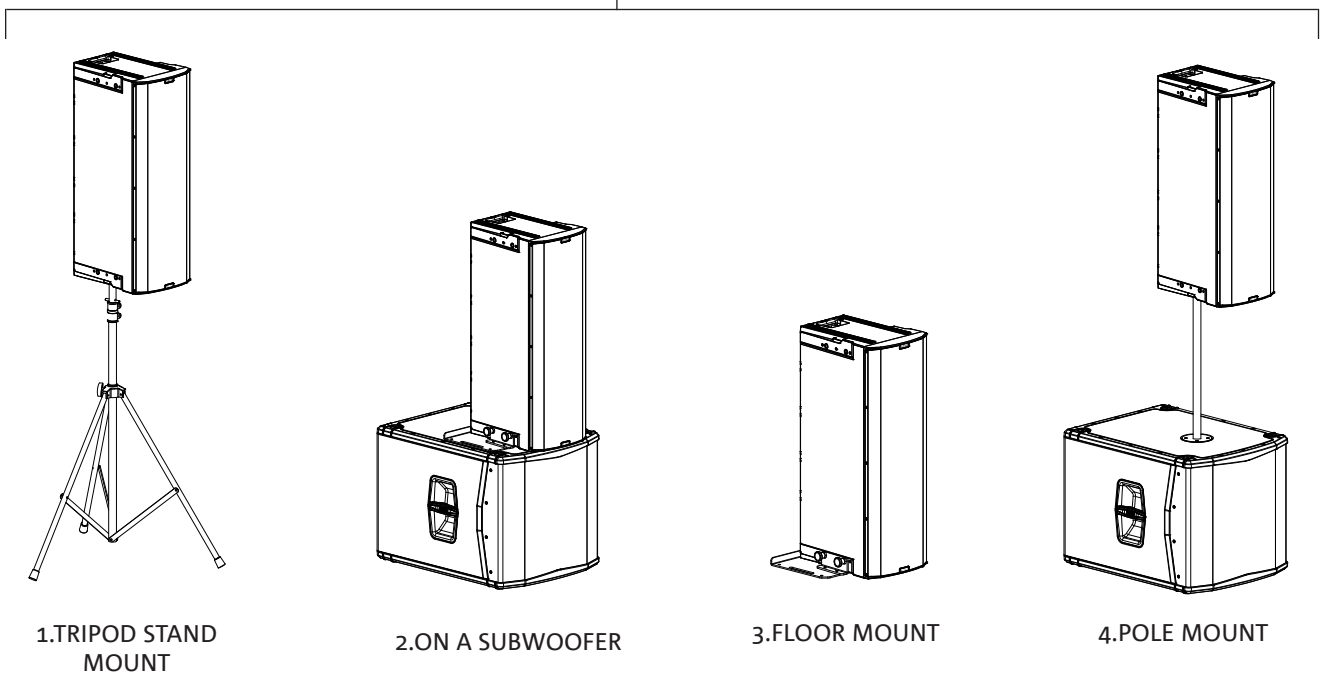
GSA-IGA
mouting adapter

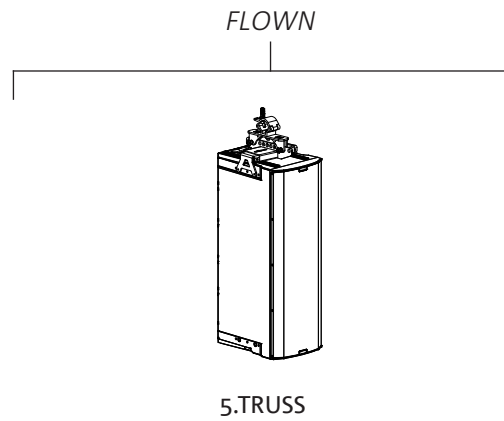


DRK-IG
flybar

CONFIGURATIONS

STACKED



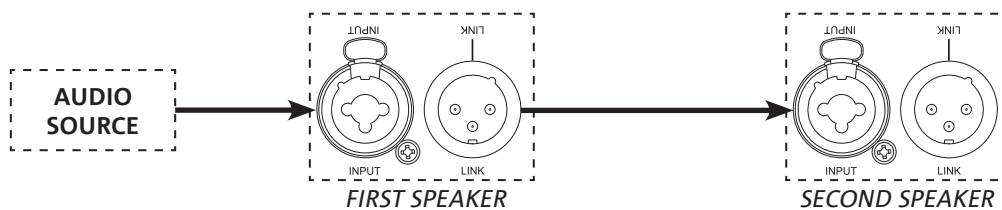


1. The speaker is equipped with a standard pole-mounting hole, so it can be mounted on a D35 mm optional pole stand (tripod). One leg of the tripod must be pointing forwards. The user must check the stability of the system. The maximum admitted height is 150 cm (47.25 inch.) for one speaker, 120 cm (59.1 inch) for two speakers.
2. The speaker can be mounted on a subwoofer with D35 pole mounting hole, using a GSA-IG optional adapter. When using a 2-speakers configuration, it is mandatory to use a couple of LP-IG optional link brackets to mount them together.
3. The speaker can be mounted on the floor, only using a GSA-IG optional adapter. In this case it is mandatory to use an additional fastening system or straps
4. Only one speaker can be installed on a D35 pole (maximum height: 150 cm – 59.1 in.), mounted on a subwoofer. It is mandatory to use an additional fastening system to secure properly the installation.
5. The speaker can be suspended on a truss, using an optional DRK-IG fly bar and TA-IG truss adapter.

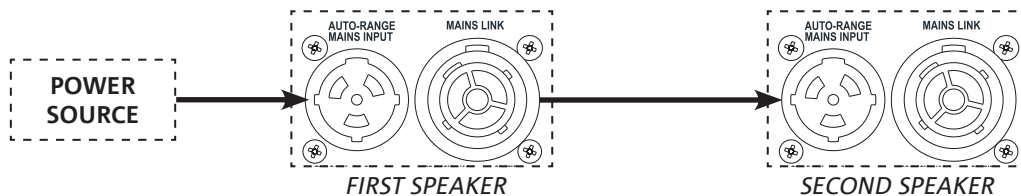
For more information about the allowed configurations, please refer to the accessories user manual.

TURN ON AND I/O SETTINGS

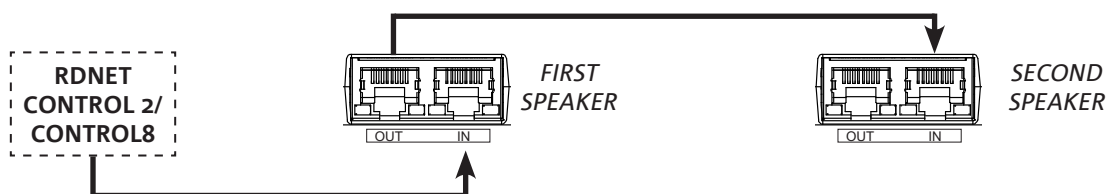
Connect first the audio source to the input socket (6); to link the audio signal to another speaker, please use a cable with XLR connectors (not supplied). Connect the Output Link (5) of the first, to the balanced Input of the second one, and so on.



Plug properly the mains POWERCON TRUE1 cable (supplied) in the related input (8) to turn on the system. To supply power to another speaker connect the Mains Link output (9) of the first speaker to the Mains Input of the second one and so on. To find out how many modules can be connected in a linked system, refer to the “TECHNICAL SPECIFICATIONS” or “CONNECTIONS” sections in the INGENIA IG3TR user manual.

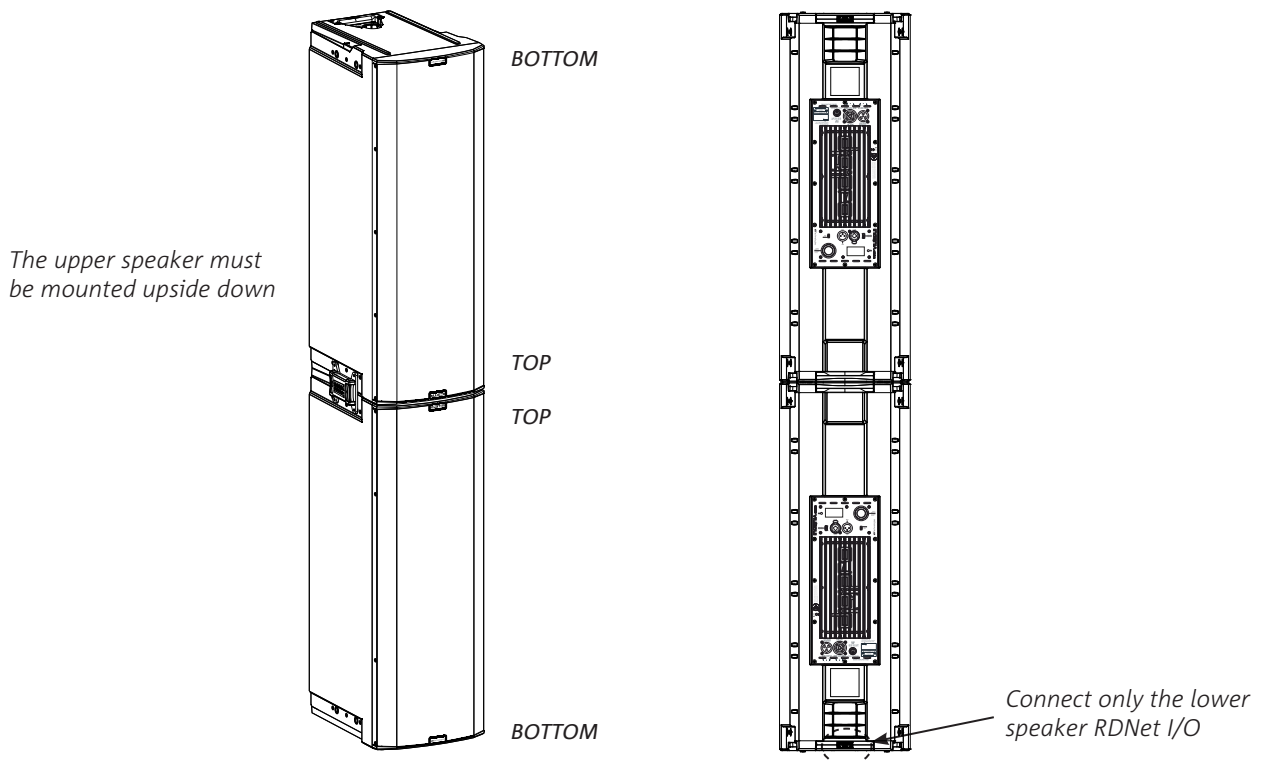


In case of remote control, connect the Data Input of the speaker to the hardware remote controller (RDNet Control 2 or RDNet Control 8) with cables equipped with etherCON connectors. Connect the Data Output of the first, to the Data Input of the second one, and so on. Please refer to RDNet Control 2 or RDNet Control 8 user manuals for further information.



In case of two stacked IG3TR speakers, the second one must be mounted upside down; it's not necessary to connect both RDNet handles; the one on the bottom speaker is enough.

The internal DSP provides an easy setup of installation and allows to configure quickly the IG3TR. Even if you turn off the speaker, your setting will be saved for the next session!



SETUP

Once properly connected the power supply and audio sources (remember to select the proper "LINE"/"MIC" choice in input sense switch (7), select the gain level in the first display window, rotating the push rotary encoder, then push it to access the menu choice wizard.

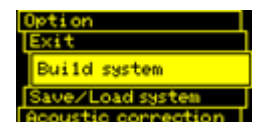
1. Select and confirm "Build System"
2. Select and confirm the "Selfcheck System" to launch the automatic recognition procedure and select and confirm "NEXT"
3. In the next "System Structure" menu you can find the number of "Speakers" automatically recognized, and you can choose and confirm the number of "Subwoofers" you want to use in your configuration. Then select and confirm "NEXT"

4. System Coverage

The INGENIA IG3TR's powerful DSP can act as a custom delay line on the transducers, in order to direct the final acoustical coverage of the speaker. This menu will appear only when the DSP has recognized 2 IG3TRs thanks to the infrared handles.

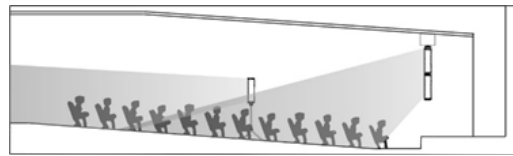
You can choose up to 7 factory settings:

- a) UP +10°, for the maximum inclination angle (with speakers mounted on a stand or a subwoofer)
- b) UP +5°, for a medium inclination angle (with speakers mounted on a stand or a subwoofer)
- c) UP +2.5°, for a low inclination angle (with speakers mounted on a stand or a subwoofer)
- d) FAR 0°, for the maximum distance coverage in a position directly at the level of the audience
- e) DOWN -2.5°, for a long-distance coverage (flown speakers)
- f) DOWN -5°, for a medium-distance coverage (flown speakers)
- g) DOWN -10°, for a short-distance coverage (flown speakers)



5. **System Delay**

You can set a custom delay on your speakers in milliseconds, meters or feet, in order to align your speakers with the main sound system (see the picture below).



6. **Stage Alignment**

When you are on stage and you have different acoustic sources (for example the drums of a band) you can choose to align your speaker with those sources. In this menu you can set the distance in meters or feet, or the time in ms.

7. **AURORA Net control**

Thanks to the integrated RDNNet connections, IG3TR can be controlled by AURORA Net software. Once the speaker is on, reset it as follows: press the button and enter MENU => OPTIONS => RESTORE => confirm the choice and then select BUILD SYSTEM to customise the settings to suit its use. When the procedure is complete, check that the Aurora logo appears beside the speaker name at the top right. In case of two speakers mount, simply connect to AURORA Net the bottom speaker. There is no need to connect both.



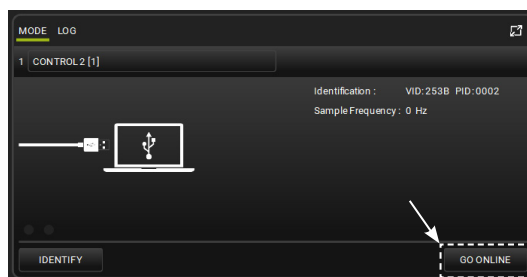
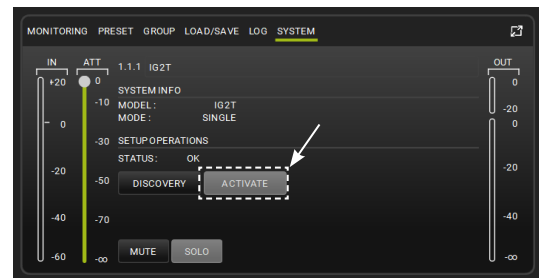
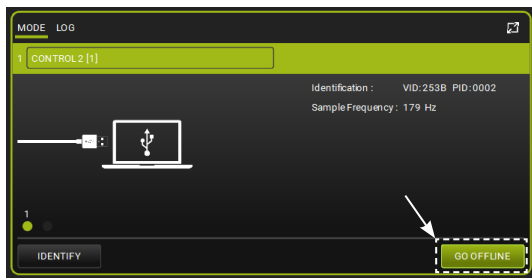
SUPERUSER PASSWORD

You can set a Password in *OPTIONS >> PASSWORD* in order to protect your custom settings. If you forget the password, use the code: **Q2R5D9** to unlock the system.

8. **AURORA Net software**

Open the Aurora software and press the GO ONLINE button. If "INGENIA" appears as the device name in place of the speaker model in Aurora, it means that the software has not detected the speaker but just the handle, and therefore the setup has not been recognised correctly.

If this situation occurs, after selecting GO ONLINE, return to OFFLINE and then go to SYSTEM => DISCOVERY; if the ACTIVATE button becomes visible, press it followed by GO ONLINE, otherwise just press GO ONLINE.



IMPORTANT NOTES AND WARNINGS

EMI CLASSIFICATION

According to the standards EN 55032 and 55035 this is a class B equipment, designed and suitable to operate in residential environments. **FCC CLASS B STATEMENT ACCORDING TO TITLE 47, PART 15, SUBPART B, §15.105**

This equipment has been tested and found to comply with the limits for a Class B digital device, pursuant to part 15 of the FCC Rules.

These limits are designed to provide reasonable protection against harmful interference in a residential installation.

This equipment generates, uses and can radiate radio frequency energy and, if not installed and used in accordance with the instructions, may cause harmful interference to radio communications.

However, there is no guarantee that interference will not occur in a particular installation. If this equipment does cause harmful interference to radio or television reception, which can be determined by turning the equipment off and on, the user is encouraged to try to correct the interference by one or more of the following measures:

1. Reorient or relocate the receiving antenna.
2. Increase the separation between the equipment and receiver.
3. Connect the equipment into an outlet on a circuit different from that to which the receiver is connected.
4. Consult the dealer or an experienced radio/TV technician for help.

Changes or modifications not expressly approved by the party responsible for compliance could void the user's authority to operate the equipment.

WARNING: Make sure that the loudspeaker is securely installed in a stable position to avoid any injuries or damages to persons or properties.

For safety reasons do not place one loudspeaker on top of another without proper fastening systems. Before hanging the loudspeaker check all the components for damages, deformations, missing or damaged parts that may compromise safety during installation. If you use the loudspeakers outdoor avoid spots exposed to bad weather conditions.

Contact dB Technologies for accessories to be used with speakers. dBTechnologies will not accept any responsibility for damages caused by inappropriate accessories or additional devices.

Features, specification and appearance of products are subject to change without notice.

dBTechnologies reserves the right to make changes or improvements in design or manufacturing without assuming any obligation to change or improve products previously manufactured.

IMPORTANT SAFETY INSTRUCTIONS

1. Read these instructions
2. Keep these instructions.
3. Heed all warnings.
4. Follow all instructions.
5. Do not use this apparatus near water.
6. Clean only with dry cloth.
7. Do not block any ventilation openings. Install in accordance with the manufacturer's instructions.
8. Do not install near any heat sources such as radiators, heat registers, stoves, or other apparatus (including amplifiers) that produce heat.
9. Do not defeat the safety purpose of the polarized or grounding-type plug. A polarized plug has two blades with one wider than the other. A grounding type plug has two blades and a third grounding prong. The wide blade or the third prong are provided for your safety. If the provided plug does not fit into your outlet, consult an electrician for replacement of the obsolete outlet.
10. Protect the power cord from being walked on or pinched particularly at plugs, convenience receptacles, and the point where they exit from the apparatus.
11. Only use attachments/accessories specified by the manufacturer.
12. Use only with the cart, stand tripod, bracket, or table specified by the manufacturer, or sold with the apparatus. When a cart is used, use caution, when moving the cart/apparatus combination to avoid injury from tip-over.
13. Unplug this apparatus during lightning storms or when unused for long periods of time.
14. Refer all servicing to qualified service personnel. Servicing is required when the apparatus has been damaged in any way, such as power-supply cord or plug is damaged, liquid has been spilled or objects have fallen into the apparatus the apparatus has been exposed to rain or moisture, does not operate normally, or has been dropped.



ADDITIONAL SAFETY INSTRUCTIONS

- No naked flame sources, such as lighted candles, should be placed on the apparatus
- Do not use the apparatus in tropical climates



WARNINGS!

Only expert personnel may use the product and its accessories! To prevent hazards to people, animals and/or objects, make sure that the installation is stable and secure. Comply with the safety regulations and laws in force in the country in which you use the product. For safe use, periodically check that all parts are in good working condition before use. Only authorised personnel may carry out design, calculations, installation, testing and maintenance of professional flown or stacked audio systems. AEB Industriale shall not be liable for improper installation carried out without adequate safety measures.

Never suspend the speakers from the handles! Only use the accessories and configurations described in this manual, and proceed in accordance with the instructions given in the manuals for the accessories.

Do not obstruct the amplifier cooling fins at the back. In the event of overheating, the audio volume is gradually reduced until the module is thermally stable. The level is automatically restored on reaching the correct operating temperature.

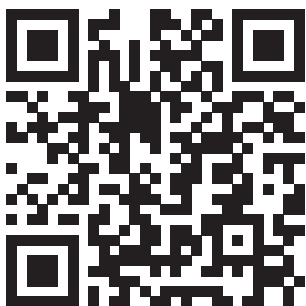
Do not attempt to open the amplifier.

In the event of malfunction, immediately turn off the power, disconnect the unit from the mains and contact an authorised service centre. Only use the power cable provided.

The USB SERVICE DATA connection is to be used exclusively for updating the product's firmware; do not connect any other USB device to the unit to avoid the risk of damage and malfunction.

Do not use the monitor for a prolonged period with the limiter LED steadily lit or flashing as this indicates operation under stress with excessive distortion.

Check periodically the integrity and the functionality of the accessories and the technical equipments for a safe installation. user should never apply a load that exceeds the working load limits of any rigging components or equipment here presented. design, calculation, installation, testing and maintenance of suspension and stack systems for audio equipment must be performed only by qualified and authorized personnel. AEB Industriale s.r.l. denies any and all responsibility for improper installations, in the absence of safety requirements.



*Scan with your
QR Reader App
to download the
complete User
Manual.*



AEB INDUSTRIALE srl

A.E.B. Industriale Srl
Via Brodolini, 8
Località Crespellano
40053 VALSAMOGGIA
BOLOGNA (ITALIA)
Tel. +39 051 969870
Fax +39 051 969725

www.dbtechnologies.com
info@dbtechnologies-aeb.com